

JVC**SERVICE MANUAL**

CD RECEIVER

KD-GS727 C/J

This Service manual have not Instructions and Location of Main Parts, Block Diagram. These item should be used in conjunction with service manual for KD-GS720C/J (Issue No. 49406).

Area Suffix

C Canada
J U.S.A.

Contents

1.Safety Precautions.....	Page 2	6.Wiring Connections.....	18
2.Removal of Main parts.....	3	7.Standard Schematic Diagram.....	19
3.Main Adjustment.....	9	8.Location of P.C.Board Parts.....	21
4.Main IC's General Discription.....	12	9.Electrical Parts	24
5. Analytic Drawing and Parts List.....	14	10.Packing	30

1. Safety Precautions

 **CAUTION**

Burrs formed during molding may be left over on some parts of the chassis. Therefore, pay attention to such burrs in the case of performing repair of this system.

2. Removal of Main Parts

■ Detaching the front panel unit

(See Fig.2-1)

Slide the Release switch in the direction of arrow to detach the front panel unit.

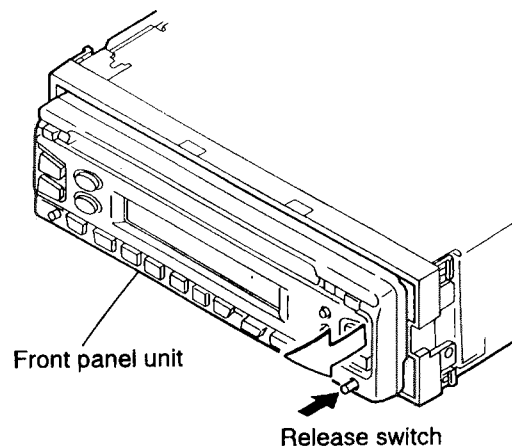


Fig.2-1

■ Removing the front chassis

(See Fig.2-2)

1. Remove two ribs in the right side of unit and pull the front chassis forward to remove it.
2. Remove two ribs in the left side of unit and pull the front chassis forward to remove it.

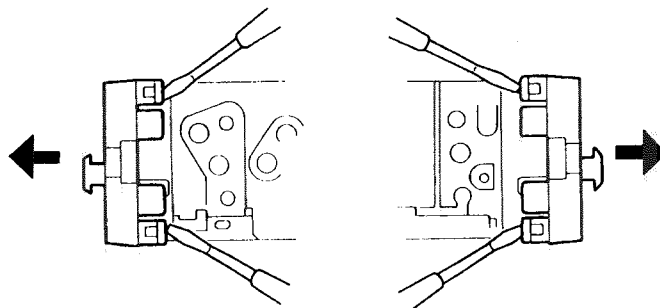


Fig.2-2

■ Removing the heat sink (See Fig.2-3)

1. Turn the left side unit.
2. Remove three screws ① retaining the heat sink.

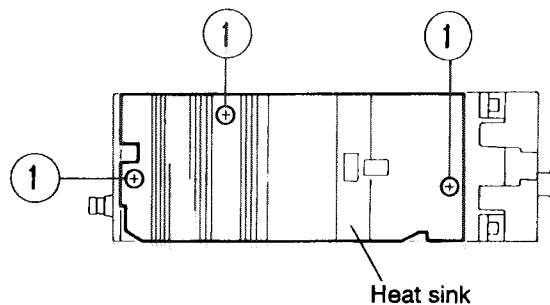


Fig.2-3

■ Removing the bottom cover

(See Fig.2-4)

Turn the unit upside down then insert and turn the screw driver to remove the bottom cover.

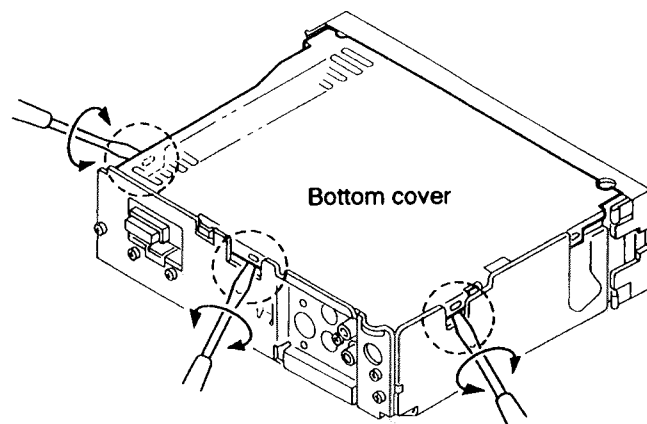


Fig.2-4

■ Removing the main board

(See Fig.2-5,2-6)

1. Remove two screws ② retaining the main board.
2. Turn the back side unit.
3. Remove three screws ③ retaining the rear bracket.
4. Lift up the main board to remove it, at this time remove the connectors CN501 and CN502 connecting the main board and CD mechanism assembly.

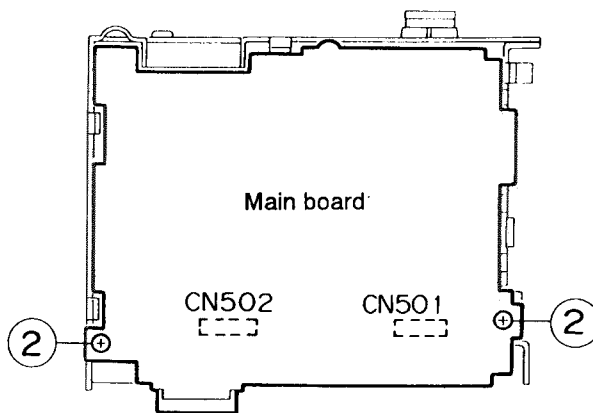


Fig.2-5

■ Removing the CD mechanism assembly

(See Fig.2-7)

Remove three screws ④ retaining the CD mechanism assembly from the top cover.

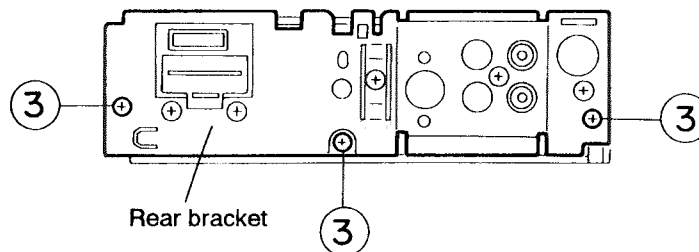


Fig.2-6

■ Removing the operation switch board

(See Fig.2-8,2-9)

1. Turn the front panel unit upside down then.
2. Remove four screws ⑤ retaining the rear cover.
3. Take the operation switch board off on the front panel.

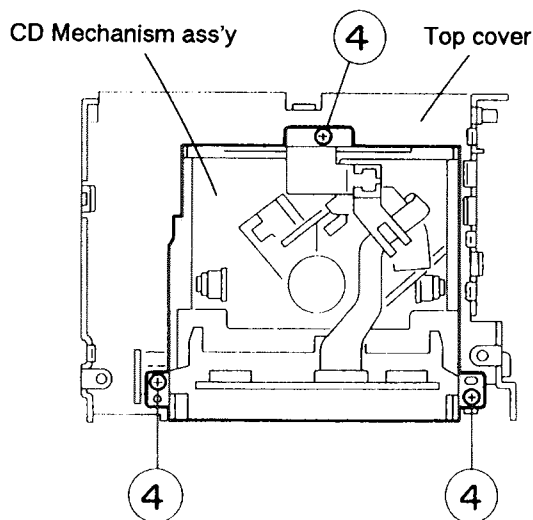


Fig.2-7

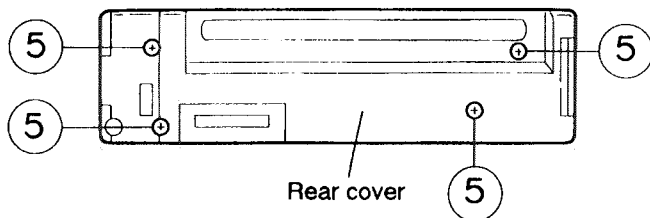


Fig.2-8

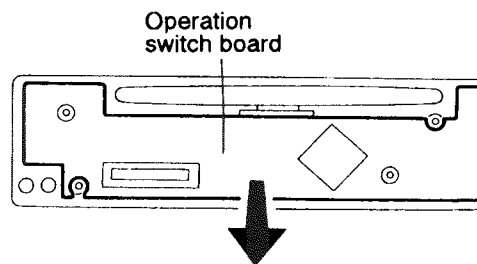


Fig.2-9

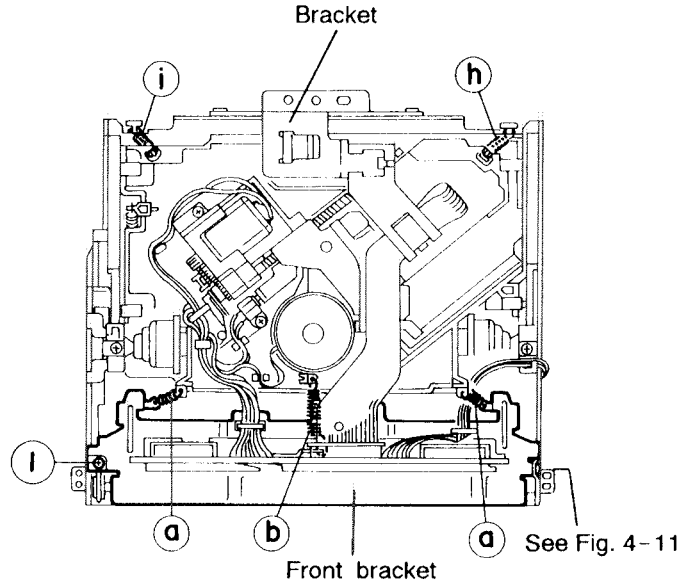


Fig.2-10

《CD Mechanism Section》

■ Removing the CD mechanism control P. C. board

1. Remove the bottom cover (See "Removing the bottom cover").
2. Remove the front panel assembly (See "Removing the front panel assembly").
3. Remove the main amplifier P. C. board assembly (See "Removing the main amplifier P. C. board assembly").
4. Remove the CD mechanism assembly (See "Removing the CD mechanism assembly").
5. Remove the three springs ③ and ④ from behind the CD mechanism assembly (See Fig.2-10).
6. Disconnect the flexible wire connected to the connector on the CD mechanism control P. C. board (See Fig.2-11).

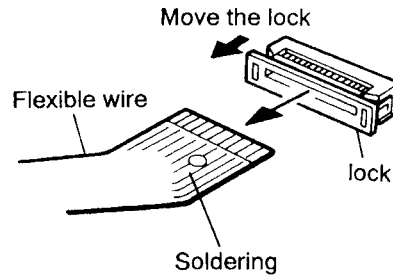


Fig.2-11

CAUTION: Whenever the flexible wire is disconnected, be sure to remove the soldering in advance as shown in Fig. 2-11. Otherwise, the CD mechanism assembly can possibly be damaged.

7. Remove the two screws ① retaining the front bracket for fixing the CD mechanism control P. C. board (See Fig.2-10).

CAUTION: Remove the front bracket from the frame while expanding both sides of the frame as shown in Fig. 2-13.

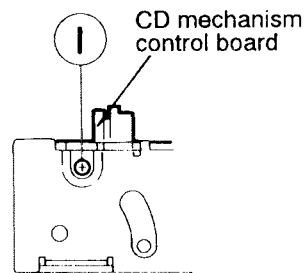


Fig.2-12

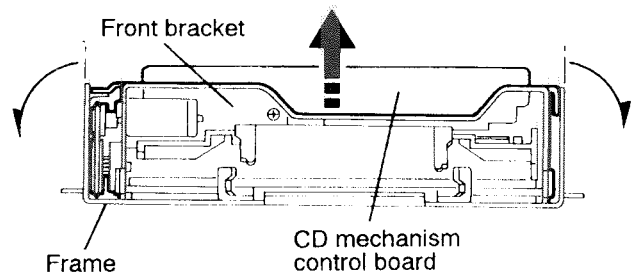


Fig.2-13

8. Remove the one screw ② retaining the CD mechanism control P. C. board (See Fig.2-14).

9. After disengaging the engagement between the notch section ㉞ and frame, remove the CD mechanism control P. C. board successively from ① through to ③ in the arrow direction as shown in Fig. 2-14.

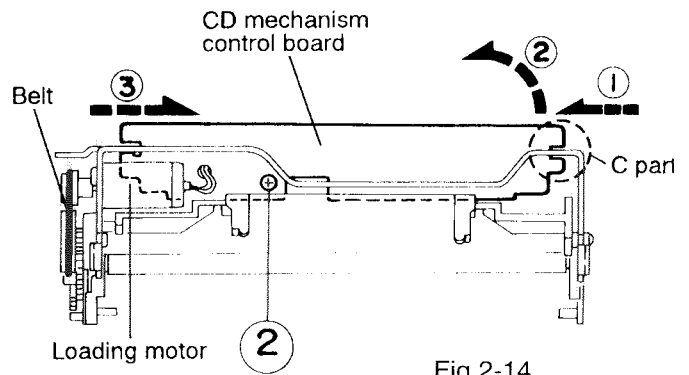


Fig.2-14

■ Removing the loading motor

1. Remove the belt from the loading motor (See Fig.2-14 and 2-15).
2. Remove the one screw ③ retaining the loading motor (See Fig.2-15).

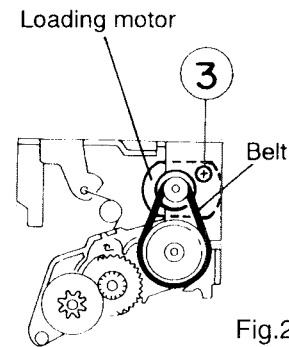


Fig.2-15

■ Removing the CD mechanism assembly

1. Remove the two screws ④ retaining the bracket for fixing the damper (See Fig.2-16).
2. While shifting the fix plates on the right and left sides respectively to the arrow direction, lower the entire CD mechanism. When the shafts (㉟, ㊱, ㊲ and ㊳) on both the right and left sides have been set free as shown in Figs. 2-17 and 2-18, then the assembly can be removed easily. Remove the two screws ⑤ retaining the rear damper bracket to make it easier to remove the damper from the rear damper bracket (See Figs, 2-10, 2-17 and 2-18).
3. Remove the two springs ㊴ and ㊵ as shown in Fig. 2-10, 16.
4. While removing the right and left sides of the rear damper brackets and dampers while expanding both sides of the CD mechanism, disassemble the entire CD mechanism.

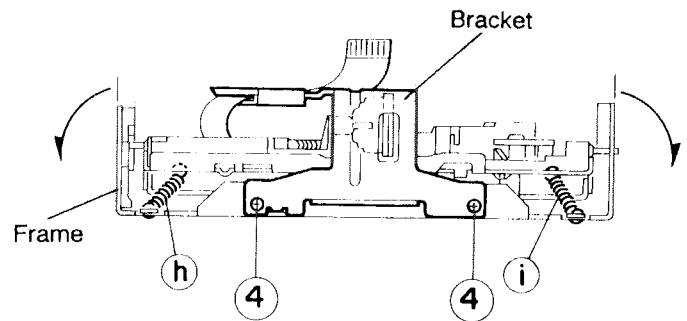


Fig.2-16

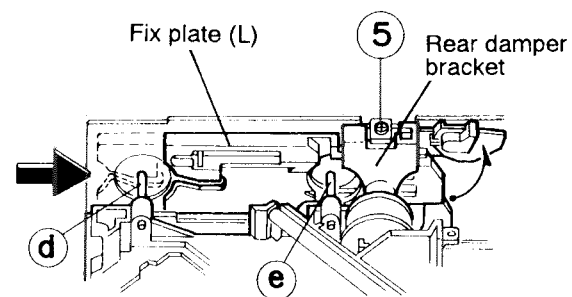


Fig.2-17

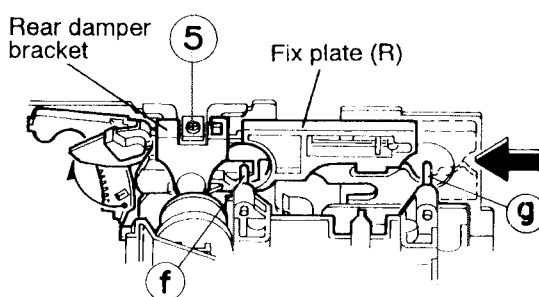


Fig.2-18

5. While turning the pickup gear in the arrow direction as shown in Fig. 2- 20, shift the entire pickup unit.
6. Remove the three screws ⑥ retaining the feed motor assembly and take out this motor assembly (See Fig.2-19).
7. While pressing and expanding the spring section ① holding the FD screw in the arrow direction, remove the FD screw and dismount the pickup unit (See Fig.2-21).
8. By removing the two screws ⑦ retaining the pickup unit, dismount the nut push spring plate and pickup mount nut (See Fig.2-22).
9. Remove the FD screw from the pickup unit (See Fig.2-22).

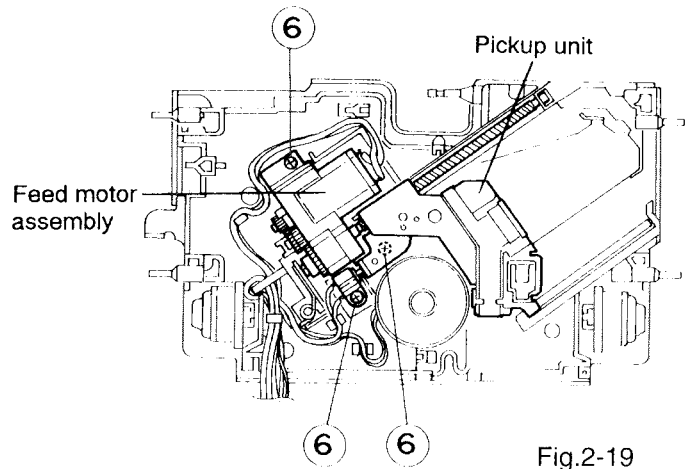


Fig.2-19

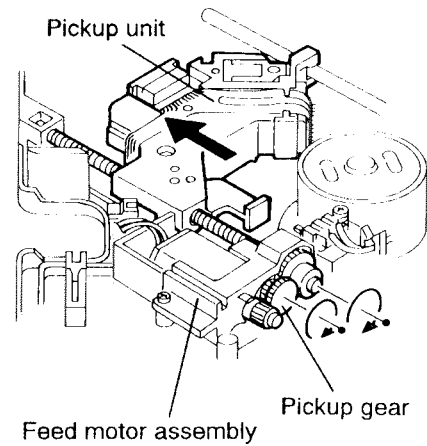


Fig.2-20

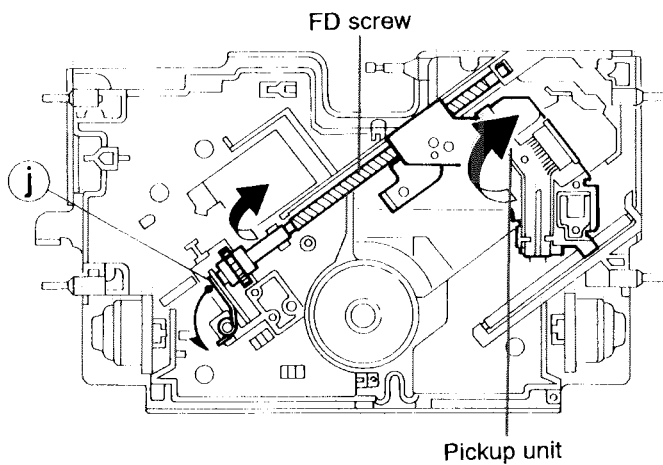


Fig.2-21

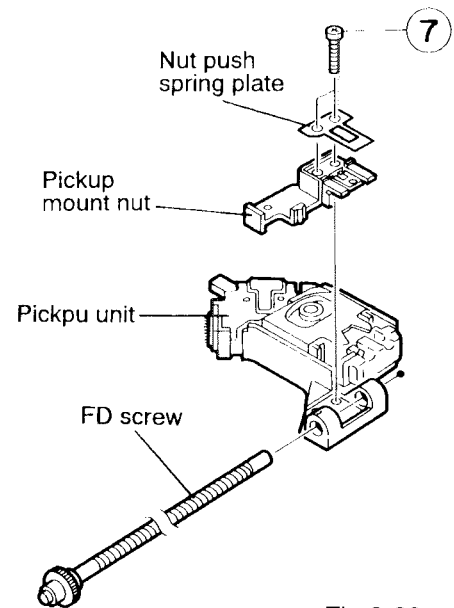


Fig.2-22

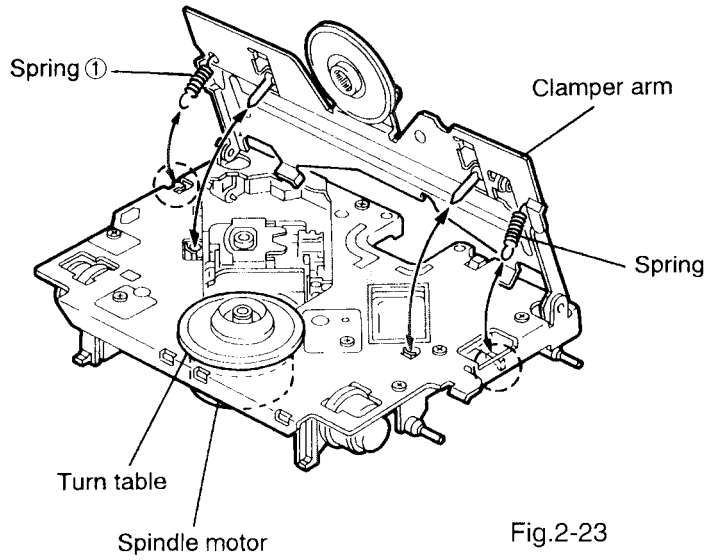


Fig.2-23

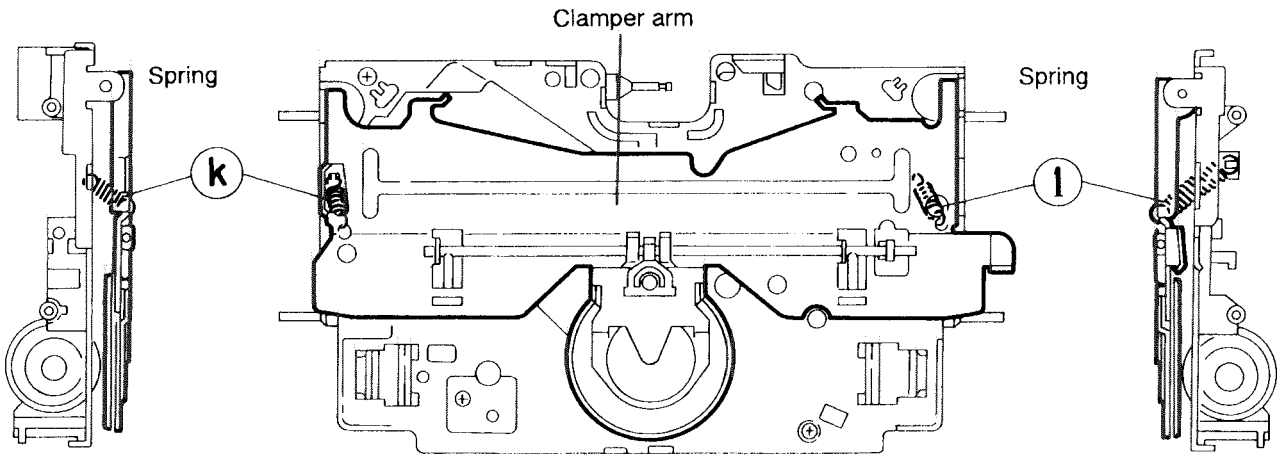


Fig.2-24-a

Fig.2-24

Fig.2-24-b

■ Removing the spindle motor

1. After turning back the CD mechanism to initial position, remove the two springs ① and ① on both the right and left sides of the clamper arm (See Figs. 2- 23 and 2- 24).
2. While turning the turntable, remove the two screws ⑧ retaining the spindle motor and take out the spindle motor (See Fig. 2- 25).

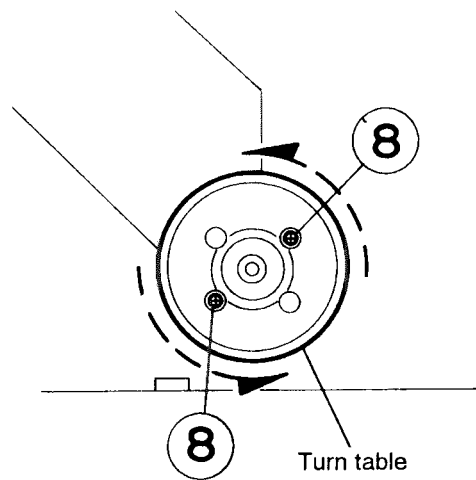


Fig.2-25

3.Main Adjustment

■ Test Instruments reqired for adjustment

1. Digital oscilloscope(100 MHz)
2. AM Standard signal generater
3. FM Standard signal generater
4. Stereo modulator
5. Electric voltmeter
6. Digital tester
7. Tracking offset meter
8. Test Disc..... JVC : CTS - 1000
9. Extension cable for check EXT - GS001 - 16P
EXT - GS001 - 15P
EXT - GS001 - 10P

■ Standard measuring conditions

- Power supply voltage..... DC14.4V(10.5~16V)
Load impedance..... 4 Ω (2 Speakers connection)
Line out 20k Ω

● Standard volume position

- Balance and Bass & Treble volume : Indication "0".
Loudness : Off

Setting of referance frequency of SSG

- AM mode : 600kHz/62dB, INT/400Hz, 30% modulation
signal on
FM mode : 97.9MHz/66dB/INT/400Hz/22.5kHz deviation
pilot 7.5kHz dev.

Output level..... 0dB(1 μ V, 50 Ω /open terminal)

Dummy load

Exclusive dummy load should be used for AM, and FM. For FM dummy load, there is a loss of 6dB between SSG output and antenna input. The loss of 6dB need not be considered since direct reading of figures are applied in this working standard.

■ How to connection the extension cables for adjusting

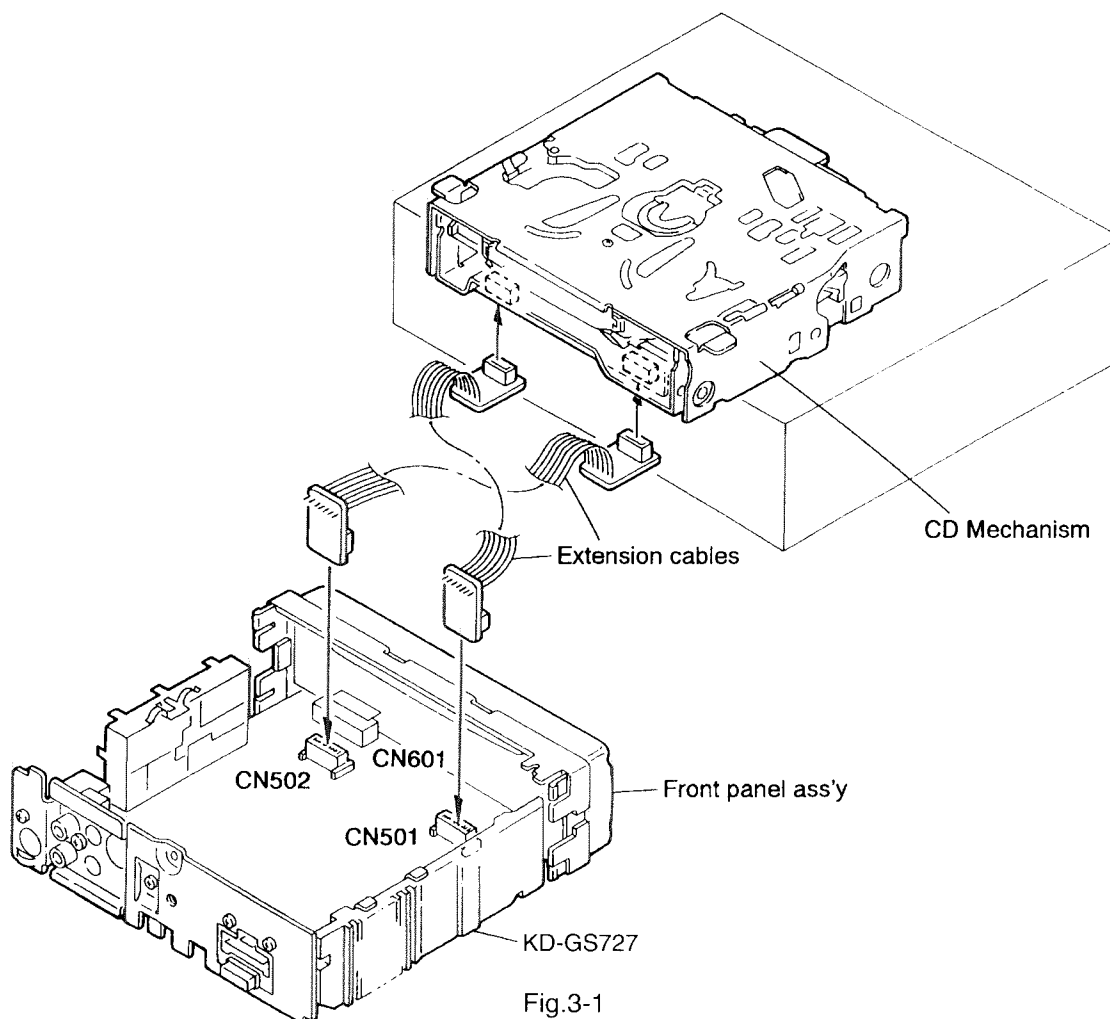
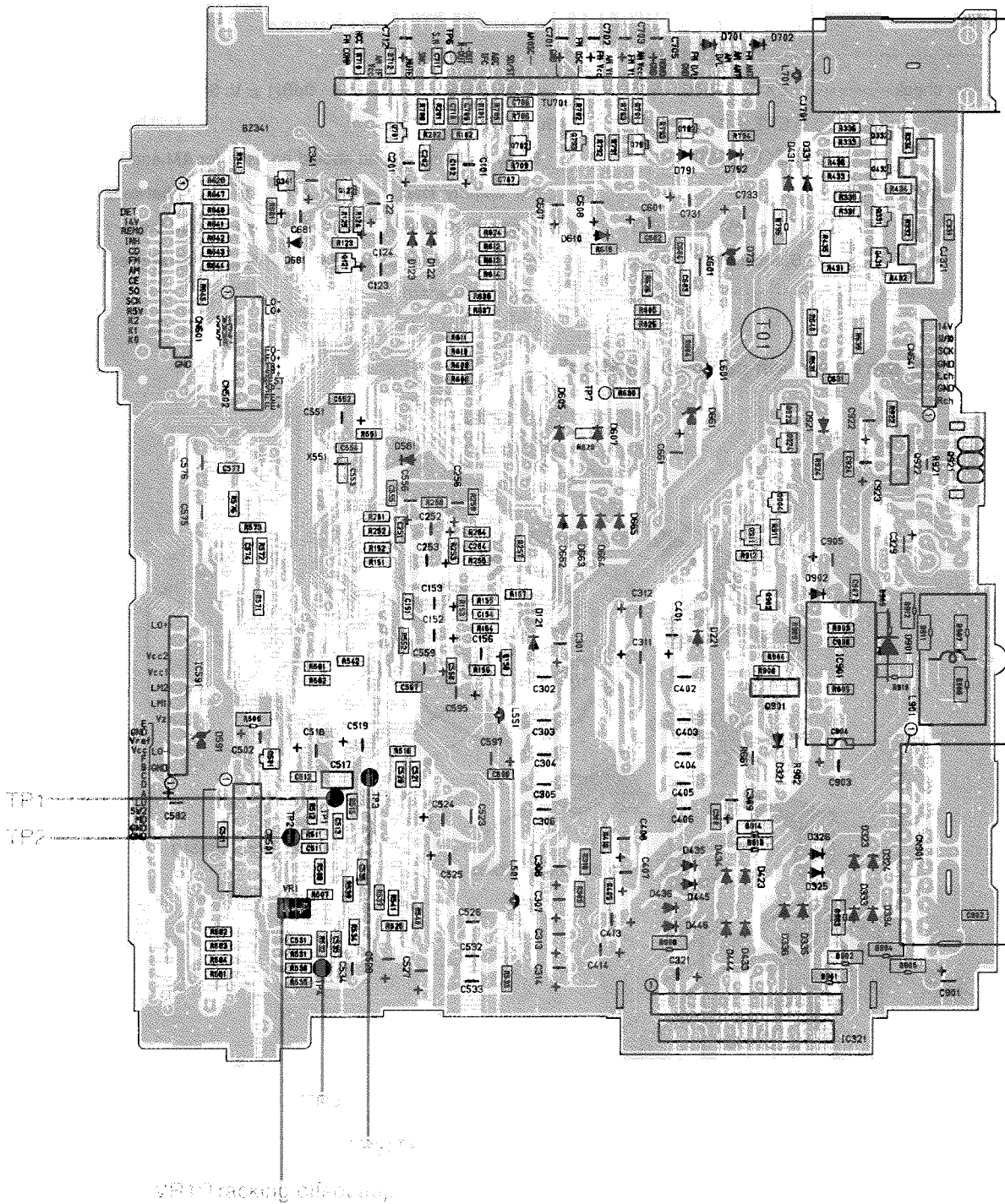
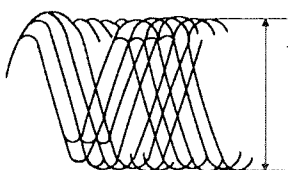
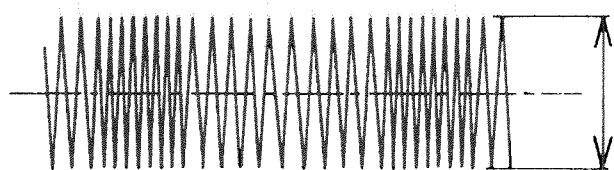


Fig.3-1

■ Arrangement of Adjusting & Test Points (Main Board : Solder side)



■ CD Section

Item	Conditions	Adjustment and Confirmation	Standard Value	Adjusting
1. Jitter check	Measuring instruction :Jitter meter Oscilloscope Test point : TP1 :TP2 (VREF)	1. Connect to the jitter meter between TP1 and TP2 (VREF). 2. When the test disc (Track 1) is played, confirm that the meter reading is less than 26n - sec	less than 26n - sec	--
2. RF level (eye-pattern) check	Measuring instruction Oscilloscope Test point : TP1 :TP2 (VREF)	1. Connect to the oscilloscope between TP1 and TP2 (VREF). 2. When the test disc (Track 1) is played, confirm that peak-to-peak value of eye-pattern waveform is within 0.85~1.75V	Within 0.85~1.75V	
		<p>Eye - pattern waveform</p>  <p>The maximum value of this waveform should be in the range of specifications and the waveform should be clear</p>		
3. Tracking offset adjustment	Measuring instruction :Oscilloscope Test point TP2 Oscilloscope ground side (VREF level) TP3 Oscilloscope hot side Note 1 Oscilloscope input should be DC coupled. Note 2 Adjust VR501 so that the waveform becomes vertically symmetrical to the reference voltage of servo.	Adjustment procedure 1. Connect to the oscilloscope between TP2 (VREF) and TP3 (TE) . 2. Play back the disc(Track 1). 3. Turn on the short switch.(Shot circuit between TP2 (VREF) and TP4 during test disc play.) 4. Since the waveform of tracking error signal. displayed by the oscilloscope goes up and down when VR501 has been adjusted. Adjust VR501 so becomes a reference $0 \pm 20m$ voltage value of servo (VREF).	Adjust the center of waveform amplitude to the reference 1.5 ± 0.3 voltage Note3. VREF: Ground level on the oscilloscope	VR501
		<p>Tracking offset waveform</p>  <p>Set the P-P center of the DC level to zero.</p>		
4. Line out level check	Measuring point :Line out	2. When the test disc (Track 1) is played, confirm that line out level is $1.5 \pm 0.3V$.	$1.5 \pm 0.3V$	--

4.Main IC's General Discription

■ IC301: TEA6320T (E. VOLUME)

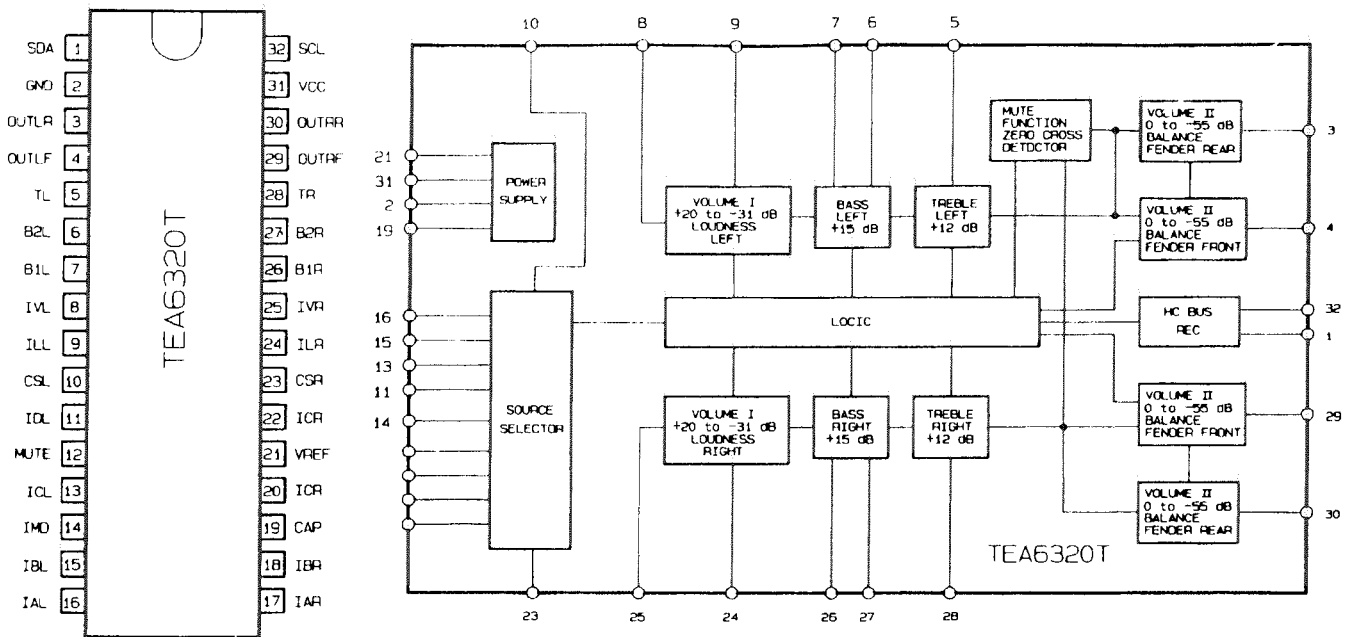


Fig.4-1

■ IC901: TDA3603P (REGULATOR)

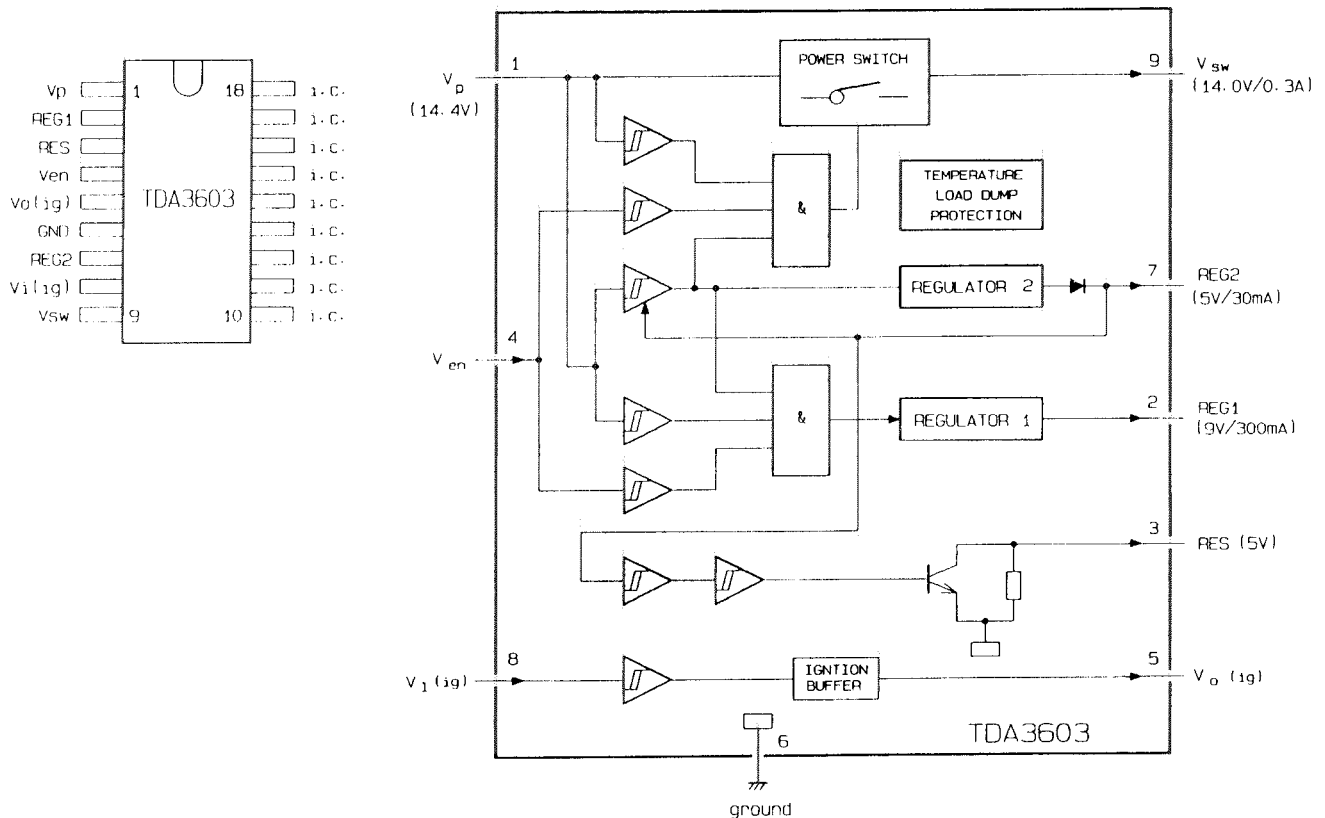


Fig.4-2

■ IC601 : LC72366 (CPU) Terminal's Function Table

Pin No.	Symbol	I/O	Function
1	XIN		4.5MHz crystal oscillator connection pin.
2	TEST2		Ground
3	J BUS SI	I/O	Changer data input for information
4	J BUS SO	I/O	Changer data output for information
5	J BUS SCK	I/O	Changer clock in/output for information
6	TELMUTE		Non connection
7	E.VOL ACKIN	I/O	Electrical volume for ACKinput
8	E.VOL SO	I/O	Electrical volume for data output
9	E.VOL SCK	I/O	Electrical volume for clock output
10	LCD CE	I/O	Chip enable signal output for LCD driver
11	REST SW	I/O	Rest switch for traverse mecha
12	LCD SO	I/O	Data output for LCD driver
13	LCDSCK	I/O	Clock output for LCD driver
14	MECHA SW4	I/O	8cm disk eject position (Detect switch input),8cm loading waite timing start
15	NC		Non connection
16	BUCK	0	Communication clock output
17	CCE	0	Communication chip enable output
18	LM0	0	Loading motor control signal output (FWD)
19	LM1	0	Loading motor control signal output (REV)
20	CDREMOTE	0	Non connection
21	NC	0	Non connection
22	TUNER REMOTE	0	Antenna remote control output
23	J BU I/OCONT	0	In output selector for communication buffer output
24	KS2	0	Initial setting output pin 2
25	KS1	0	Initial setting output pin 1
26	KS0	0	Initial setting output pin 0
27	SD/ST	I	Station detector input, ST input
28	K2	I	Initial setting input pin 2
29	K1	I	Initial setting input pin 1
30	K0	I	Initial setting input pin 0
31	Vdd		Power source pin
32	MECHA SW2	I/O	Detect switch for 12cm disc input
33	IFRQ/AGC	0	IF count request output
34	NC		Non connection
35	NC		Non connection
36	NC		Non connection
37	BEEP LEVEL		Non connection
38	FM ILLUMI	0	Function illumination selector output (FM)
39	AM ILLUMI	0	Function illumination selector output (AM)
40	NC		Non connection

Pin No.	Symbol	I/O	Function
41	CD ON	0	CD power control signal output
42	BAND	0	FM/AM band selector signal output
43	POWER CONT	0	Power source IC control output
44	BEEP	0	Tach tone output
45	DETACH	I/O	Remove the front panel detecting input
46	POWER SAVE2	I/O	Power save 2 detecting input
47	MECHA SW1	I/O	Disc in detecting switch input 8cm disc detecting switch input
48	MECHA SW3	I/O	Disc existence detecting switch input Loading finishing detecting switch input
49	BUS3	I/O	CD LSI communication Bus line
50	BUS2	I/O	CD LSI communication Bus line
51	BUS1	I/O	CD LSI communication Bus line
52	BUS0	I/O	CD LSI communication Bus line
53	SYSTEM RESET	I/O	Microcomputer reset input
54	MONO	I/O	Monoral control signal output
55	OPTICAL REMOCON	I/O	Optical remote control signal input
56	J BUSINT	I/O	Cut into J bus input
57	NC		Non connection
58	NC		Non connection
59	CDLSI RESET	0	CD system reset signal output
60	MUTE	0	Voice mute control signal output
61	KEY0	I	Key AD input pin 0
62	KEY1	I	Key AD input pin 1
63	KEY2	I	Key AD input pin 2
64	A/D KEYSEL	I	Key mode selector AD
65	LEVEL IND	I	Level meter AD input pin
66	SM	I	S. meter input
67	POWER SAVE1		Power save1 detecting input
68	SNS		Power reduction sens pin
69	NC		Non connection
70	AM/FM IFCONT		AM/FM IF count signal input
71	NC		Non connection
72	NC		Non connection
73	Vdd		Power source pin
74	AMOSC		AM local oscillator signal input
75	FMOSC		FM local oscillator signal input
76	GND		Ground
77	NC		Non connection
78	ERROR OUT		PLL error signal output
79	GND		Test pin (To ground)
80	XOUT		4.5MHz crystal oscillator connection pin. (Out)

5.Analytic Drawing and Parts Lis

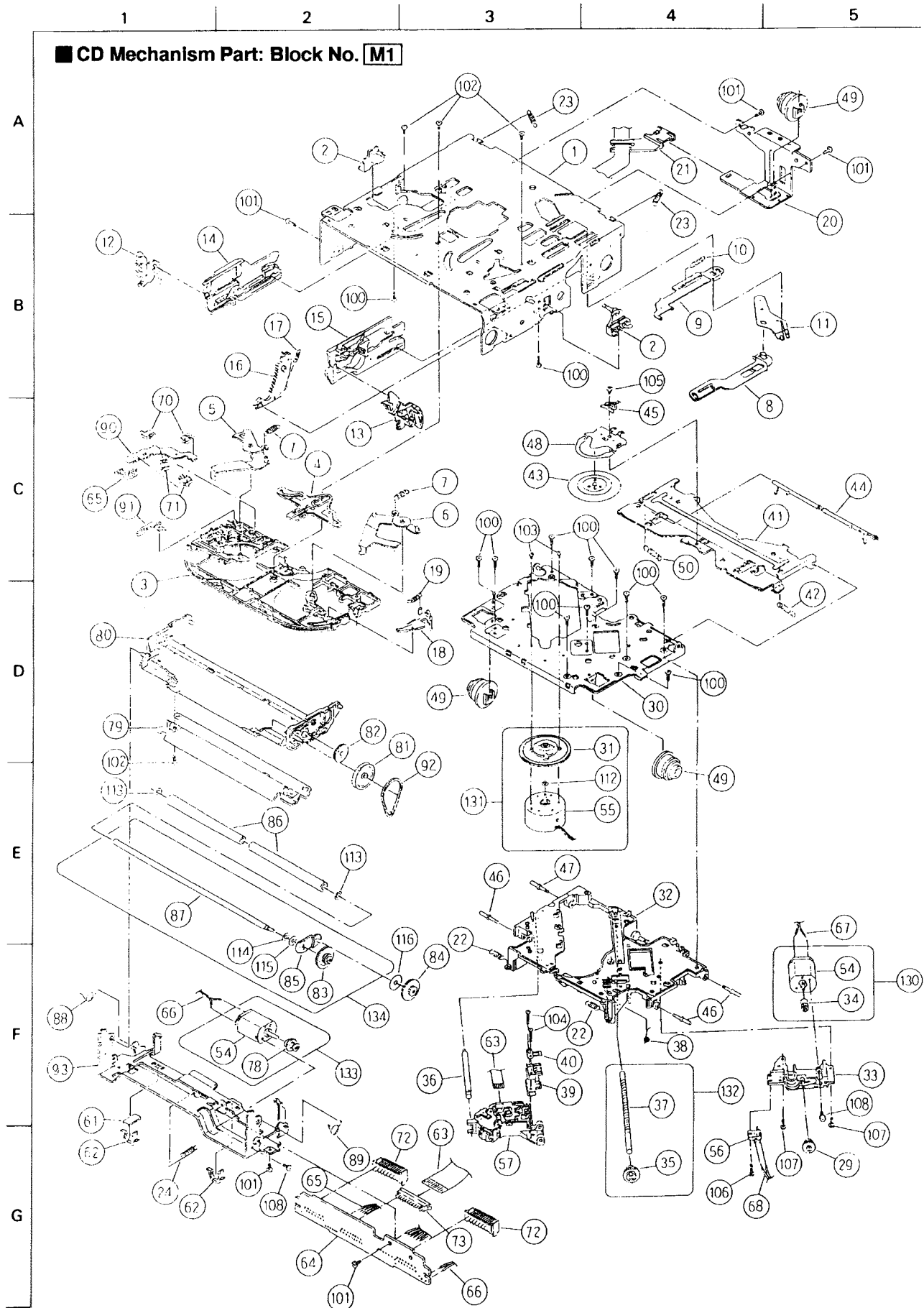


Fig.5-1

■ CD Mechanism Part List

BLOCK NO. M1MM111

△	REF.	PARTS NO.	PARTS NAME	REMARKS	QTY	SUFFIX	CLR
	1	30310101T	FRAME		1		
	2	30310103T	DANPER PIN		2		
	3	30310107T	UPPER PL		1		
	4	30310108T	SEL STOP PL		1		
	5	30310109T	SEL ARM (L)		1		
	6	30310110T	SEL ARM (R)		1		
	7	30310111T	S ARM SPRING		2		
	8	30310112T	TRIG LVR		1		
	9	30310114T	TRIG PL		1		
	10	30310115T	TRIG PL SPRING		1		
	11	30310116T	TRIG ARM		1		
	12	30310117T	FIX ARM (L)		1		
	13	30310118T	FIX ARM (R)		1		
	14	30310119T	FIX PL (L)		1		
	15	30310120T	FIX PL (R)		1		
	16	30310121T	LDG GR (6)		1		
	17	30310122T	LDG GR (6)SP		1		
	18	30310124T	S.L ARM		1		
	19	30310125T	S.L ARM SPRING		1		
	20	30310126T	REAR DAM BKT(J)		1		
	21	30310127T	FPC GUIDE		1		
	22	30310128T	HUNG UP SP (F)		2		
	23	30310129T	HUNG UP SP (R)		2		
	24	30310130T	LEVEL SP		1		
	29	30300510T	PU GEAR(B)		1		
	30	30310501T	TTB		1		
	31	-----	TURN TABLE		1		
	32	30310503T	FMB		1		
	33	30310504T	FD GR BKT		1		
	34	-----	FD GR (A)		1		
	35	-----	FD GR (C)		1		
	36	30310508T	PU SHAFT		1		
	37	-----	FD SCREW		1		
	38	30310510T	THRUST SPR		1		
	39	30310511T	PU M NUT		1		
	40	30310512T	NUT PUSH SPR PL		1		
	41	30310513T	CLP ARM		1		
	42	30310514T	CLP ARM SPRING		1		
	43	30310515T	CLAMPER		1		
	46	30310521T	LOCK PIN		3		
	47	30310522T	LOCK PIN BL		1		
	48	30310523T	CLAMPER PLATE		1		
	49	30310524T	DAMPER (J)		3		
	50	30310525T	CLP ARM SPR (L)		1		
	54	-----	FEED MOTOR	FF030PK-09210	1		
	55	-----	FEED MOTOR	FF030PK-09210	1		
	56	64180404T	SPINDLE MOTOR	RF300CA-11440D	1		
	57	OPTIMA-610MZ	DET SW	ESE11HS2	1		
	61	11050210T	CD.PICK UNIT		1		
	61	11050210T	FELT		1		
	62	19501403T	WIRE CLUMPER		2		
	63	30311001T	PICK UP FPC		1		
	64	30311002T	CONNECTER PCB(J)		1		
	65	30311003T	WIRE (5P)		1		

BLOCK NO. M1MM

REF.	PARTS NO.	PARTS NAME	REMARKS	QTY	SUFFIX	CLR
66	30311005T	WIRE (LD)		1		
67	30311006T	WIRE (FD)		1		
68	30311007T	WIRE (RS)		1		
70	64180402T	DET SWITCH	ESE22MH1	2		
71	64180403T	DET SWITCH	ESE22MH3	2		
72	68150230T	CONNECTOR	TKC-F14P-K3	2		
73	68170222T	CONNECTOR	6208010117	1		
78	-----	LDG PULLEY		1		
79	30311105T	SOPPORT PL		1		
80	30311108T	GR MT BLK		1		
81	30311109T	LDG GR (2)		1		
82	30311110T	LDG GR (3)		1		
83	-----	LDG GR (4)		1		
84	30311112T	LDG GR (5)		1		
85	-----	LDG GR ARM		1		
86	30311114T	LDG ROLLER		2		
87	-----	LDG RLR SFT		1		
88	30311118T	L.P SP (L)		1		
89	30311119T	L.P SP (R)		1		
90	30311123T	SW PCB		1		
91	30311124T	SW ACTR		1		
92	30311129T	LDG BELT		1		
93	30311130T	FRONT BRKT (J)		1		
100	9C0620503T	C B TAP SCREW	M2X5	11		
101	9C2020401T	C SCREW TS.G	M2X4	5		
102	9C4320403T	C B TAP SCREW	M2X4	4		
103	9C0117223T	SCREW	M1.7X2.2	2		
104	9C0117703T	C SCREW	M1.7X7	2		
105	9C4220201T	C TAP SCREW S3	M2X2	1		
106	9C4420003T	C TAP SCREW B3	M2X10	1		
107	9C4420503T	C TAP SCREW B3	M2X5	2		
108	9P0220031T	TAMS SCREW	M2X4	2		
112	-----	P W	2X3.5X0.25	1		
113	9W0125090T	P W	3.1X5.4X0.25	2		
114	-----	WAVE WASHER		1		
115	-----	LUMILAR W	2.5X6X0.1	1		
116	9W0735080T	LUMILAR W	2.3X9.8X0.35	1		
130	303105301T	FFED MO ASSY	NO.34,54	1		
131	303105302T	SPINDLE MO ASSY	NO.31,55,112	1		
132	303105303T	FEED SCREW ASSY	NO.35,37	1		
133	303111301T	LDG MOTOR ASSY	NO.54,78	1		
134	303111302T	RDG RLR SFT ASY	NO.83,85,87 114,115	1 1		

1 2 3 4 5

■ Enclosure Assembly Part: Block No. **M2**

A

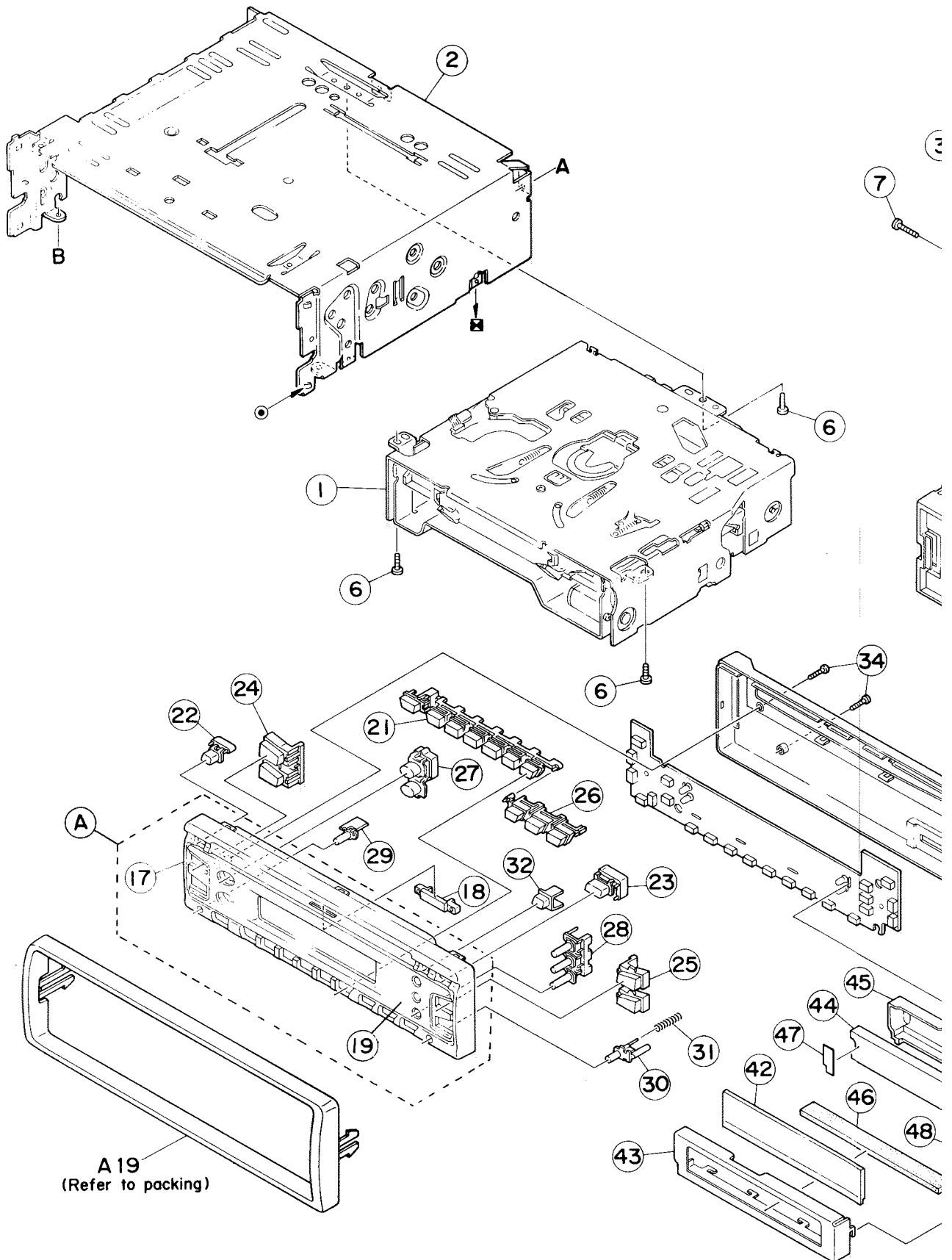
B

C

D

E

F



A 19
(Refer to packing)

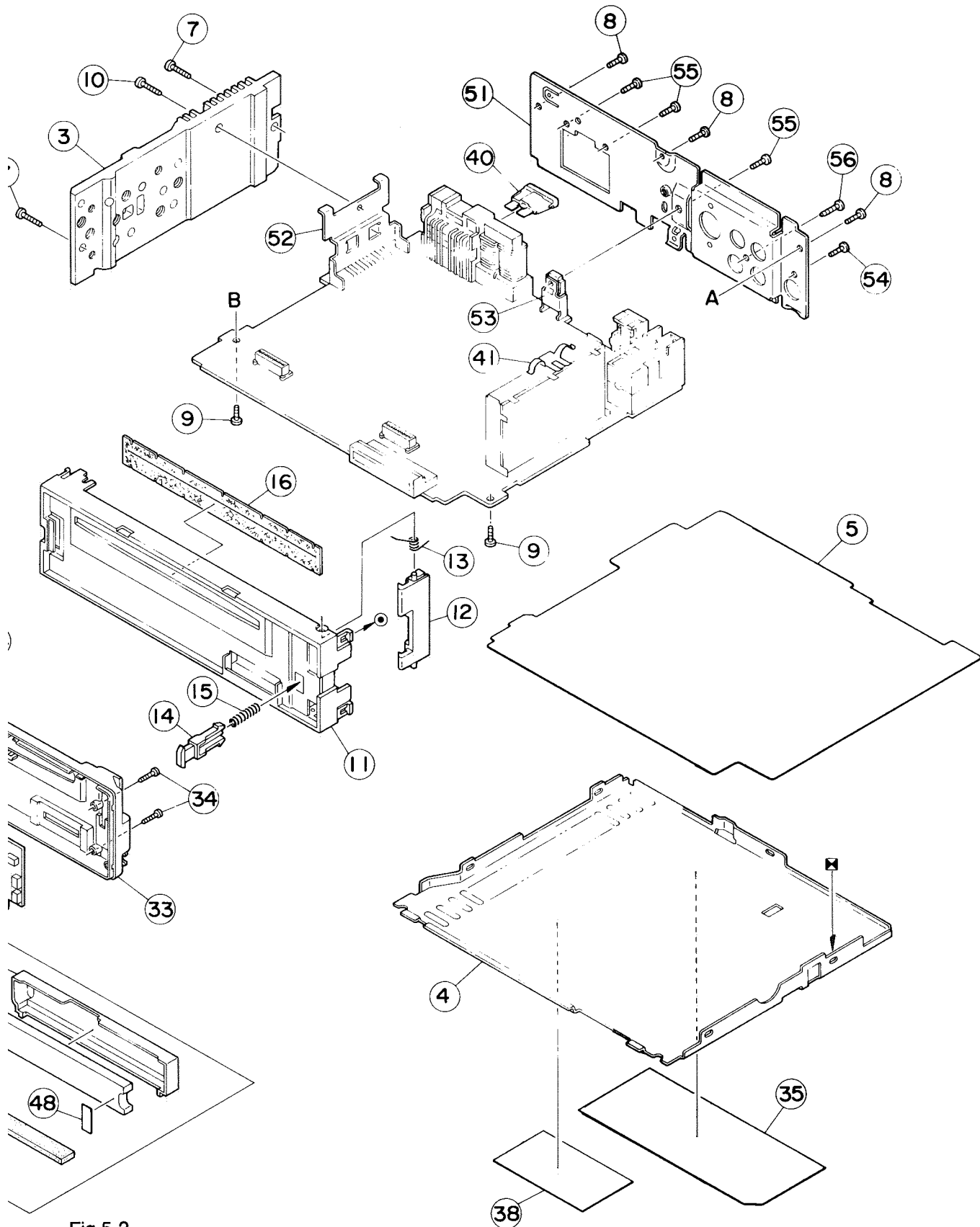


Fig.5-2

■ Enclosure Assembly Parts List

BLOCK NO. M2MM

REF.	PARTS NO.	PARTS NAME	REMARKS	QTY	SUFFIX	CLR
A	ZCKDGS727J-NPA	NOSE PIECE ASSY	NO.17,19	1		
1	-----	GS929 CD MECHA		1		
2	FSJC1029-001	TOP CHASSIS		1		
3	FSMH3001-001	HEAT SINK		1		
4	FSKM3007-001	BOTTOM COVER		1		
5	FSMA3004-001	INSULATOR		1		
6	SDST2604Z	SCREW	CHASSIS+CD MECH	3		
7	SDST2608Z	SCREW	CHASSIS+SIDE PA	2		
8	SDST2606Z	SCREW	CHASSIS+REAR BK	3		
9	SDST2606Z	SCREW	CHASSIS+MAIN PW	2		
10	SDST2608Z	SCREW	SIDE PANEL+IC B	1		
11	FSJC2010-001	FRONT CHASSIS		1		
12	FSKS3004-001	LOCK LEVER		1		
13	FSKW4005-003	TORSION SPRING		1		
14	FSXP3026-001	RLS KNOB		1		
15	FSKW3002-004	COMPRESS SPRING		1		
16	FSPK3009-001	BLIND		1		
17	FSJC1027-001	FRONT PANEL		1		
18	FSJK3007-001	LIGHT LENS		1		
19	FSJD2022-00B	FINDER		1		
21	FSXP2022-001	PRESET BUTTON	1/2/3/4/5/6	1		
22	FSXP3033-001	POWER BUTTON		1		
23	FSXP3034-001	EJECT BUTTON		1		
24	FSXP3036-001	+/- BUTTON		1		
25	FSXP3037-001	UP DOWN BUTTON		1		
26	FSXP2023-004	D.FUNC BUTTON		1		
27	FSXP3038-003	SND/C. BUTTON		1		
28	FSXP3039-001	PUSH BUTTON		1		
29	FSXP4001-001	DISPLAY BUTTON		1		
30	FSXP3035-001	DETACH BUTTON		1		
31	FSKW3002-008	COMP.SPRING	FOR DETACH BUTT	1		
32	FSJK4007-001	REMOTE LENS		1		
33	FSJC1028-001	REAR COVER		1		
34	VKZ4777-001	MINI SCREW	FRONT+REAR	4		
35	VYN3782-S001	NAME PLATE		1		
37	VND3115-001	LABEL		1		
38	VND4922-001	CAUTION LABEL		1		
40	QMFZ021-100-J1	FUSE		1		
41	VMA4652-001	EARTH PLATE		1		
42	QLD0002-001	LCD		1		
43	FSYH3011-001	LCD CASE		1		
44	VJK3680-001	LCD LENS		1		
45	VKS3750-002	LENS CASE		1		
46	VMZ0149-001	LCD CONNECTOR		1		
47	VYTT689-001	BLIND(L)		1		
48	VYTT690-001	BLIND(R)		1		
51	FSKM3008-001	REAR BRACKET		1		
52	FSKL4013-001	IC BRACKET		1		
53	VKL7059-002	TR BRACKET		1		
54	SDST2606Z	SCREW	FOR ANTENNA	1		
55	SDSP2606Z	SCREW	FOR IC BRACKET	3		
56	SDFS3006Z	SCREW	FOR JACK BRACKE	1		

6. Wiring Connections

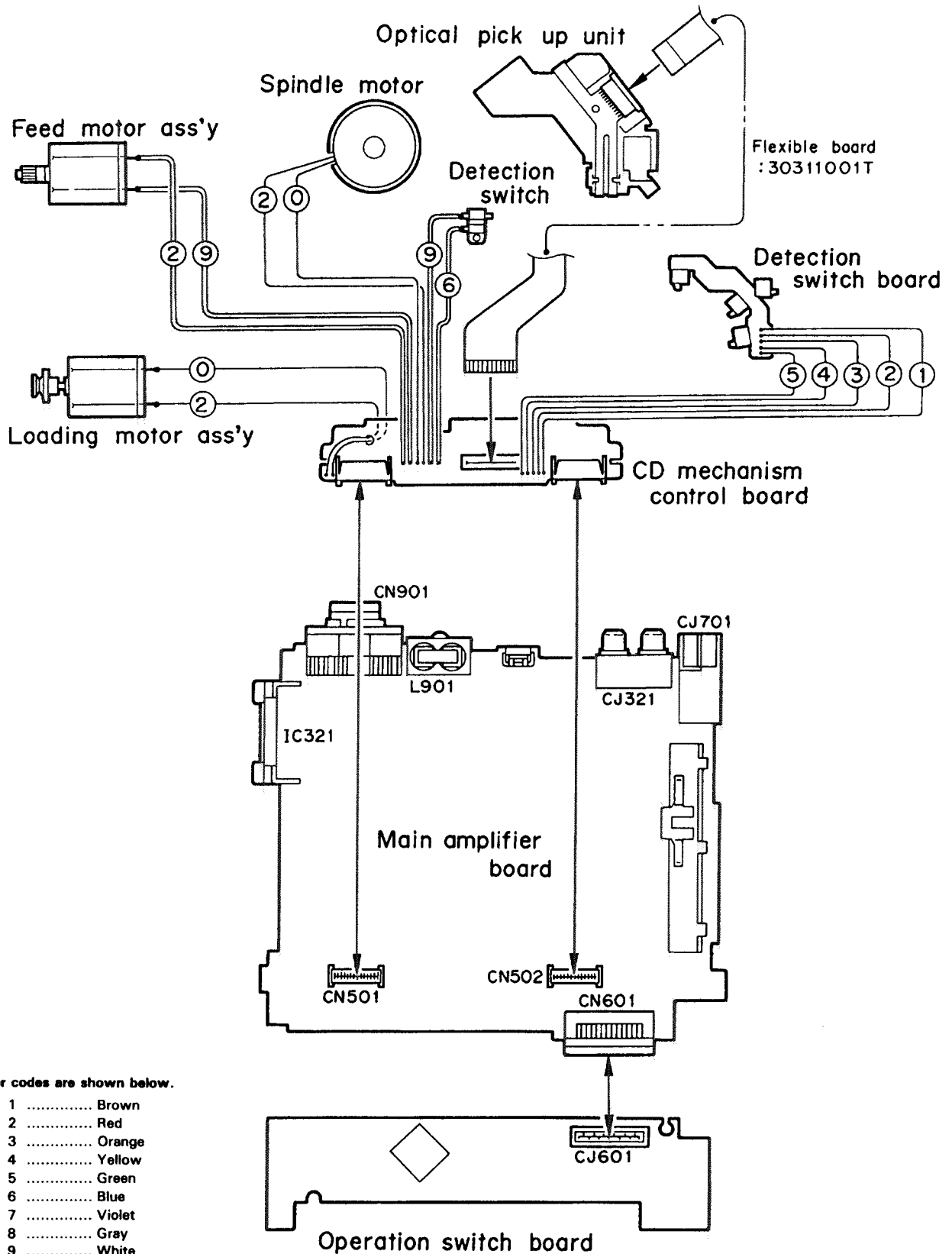


Fig.6-1

7. Standard Schematic Diagram

CD Servo Control & LCD Operation Switch Circuit: VDH3774-001CV

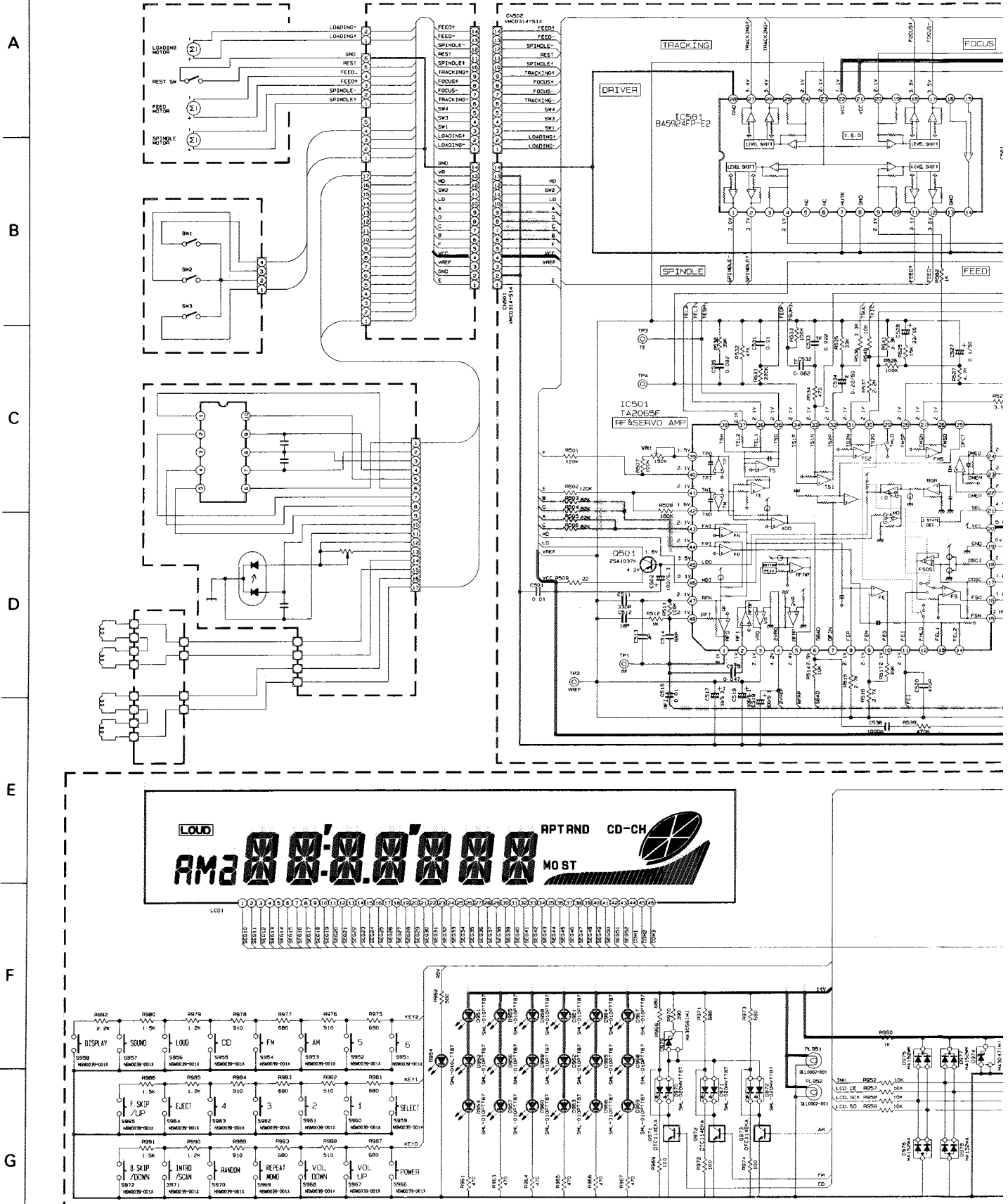
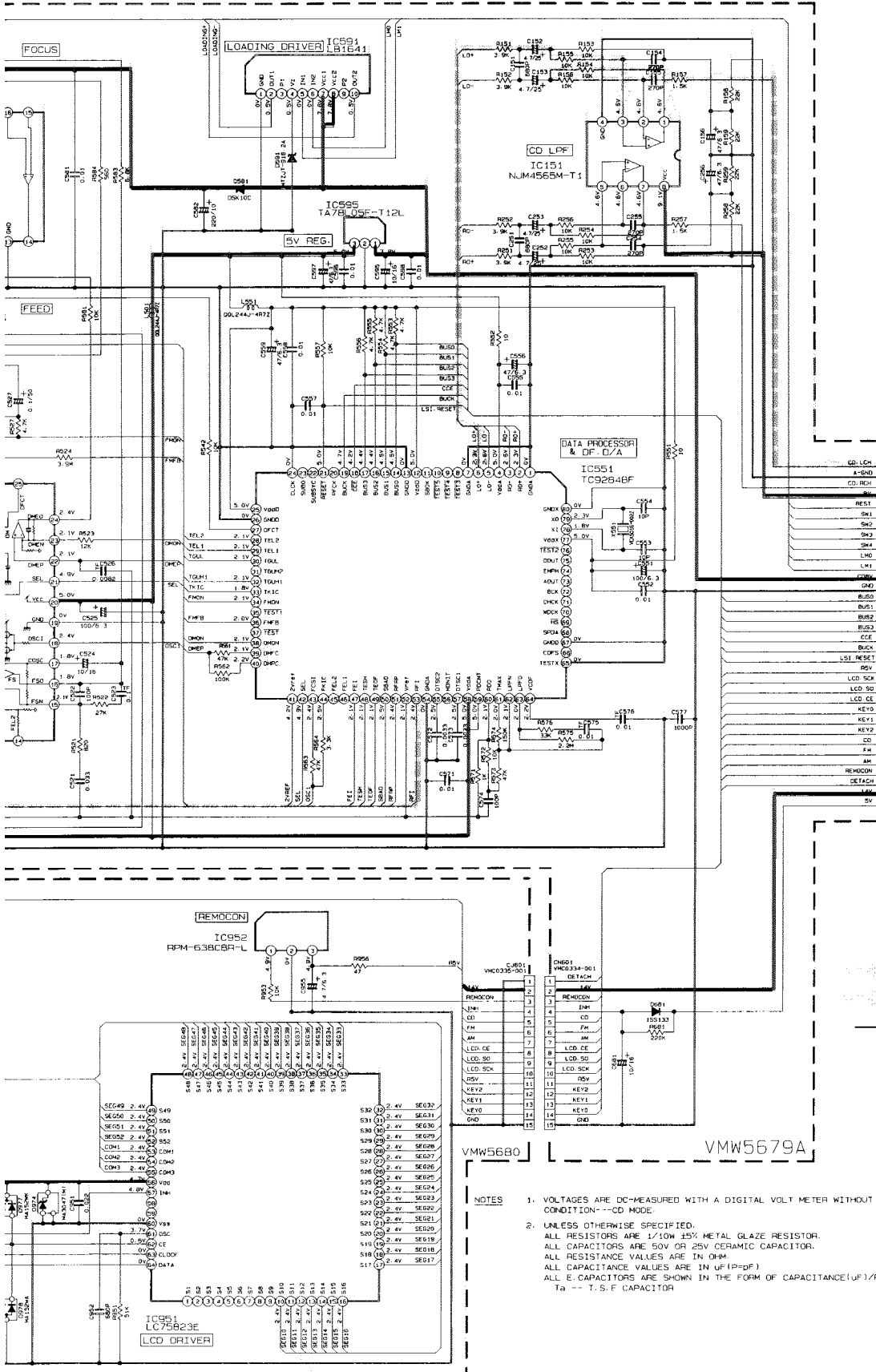


Fig.7-1



CD Digital Signal
 CD Analogue Signal
 +B Line

- NOTES
1. VOLTAGES ARE DC-MEASURED WITH A DIGITAL VOLT METER WITHOUT INPUT SIGNAL CONDITION -- CD MODE.
 2. UNLESS OTHERWISE SPECIFIED, ALL RESISTORS ARE 1/10W ±5% METAL GLAZE RESISTOR. ALL CAPACITORS ARE 50V OR 25V CERAMIC CAPACITOR. ALL RESISTANCE VALUES ARE IN OHM. ALL CAPACITANCE VALUES ARE IN UF (PpF) ALL E. CAPACITORS ARE SHOWN IN THE FORM OF CAPACITANCE(UF)/RATED VOLTAGE(V) Ta -- T. S. F. CAPACITOR

Receiver & Power Amplifier Circuit : VDH3782-001AV

A
B
C
D
E
F
G

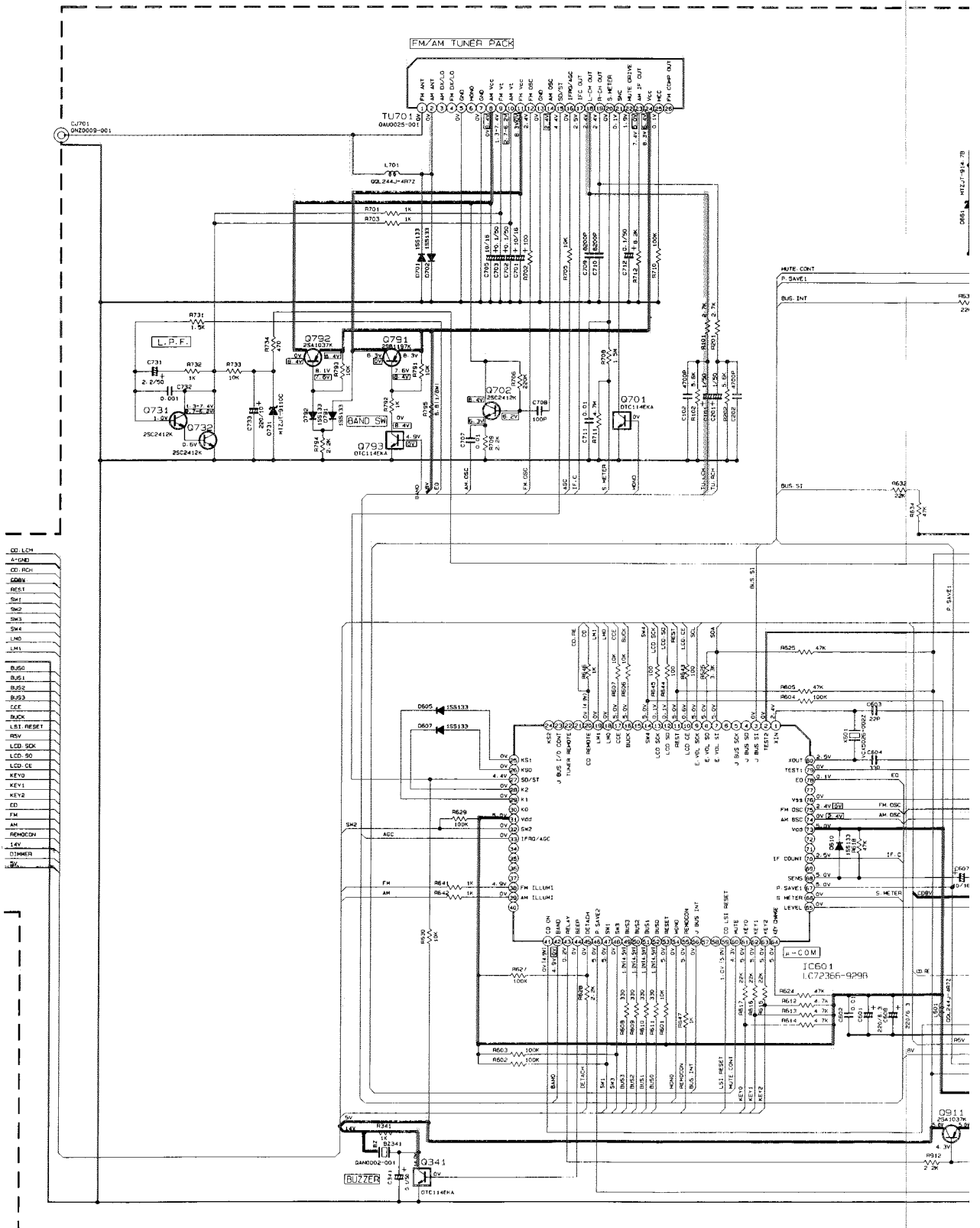
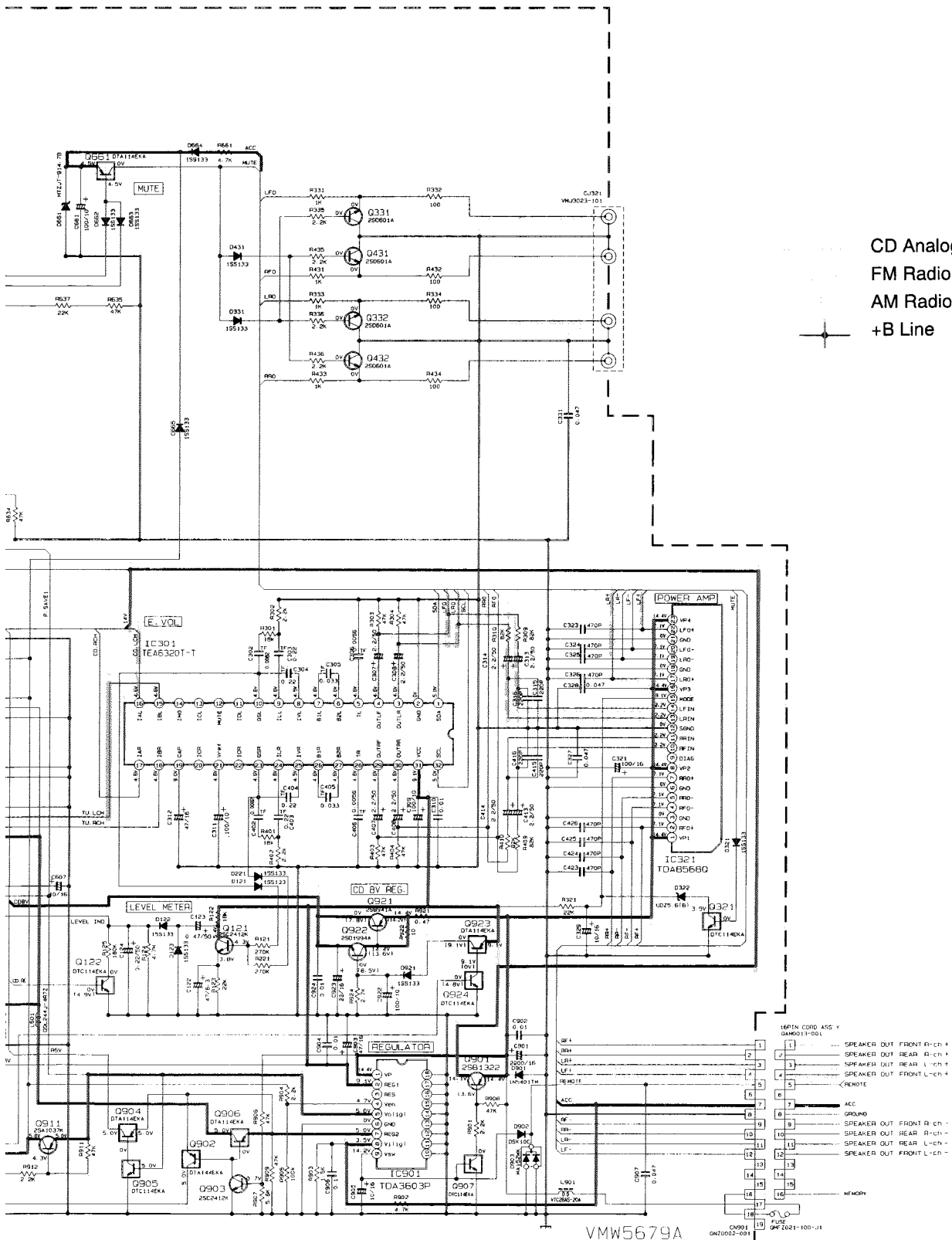
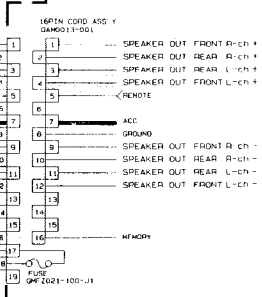


Fig.7-2



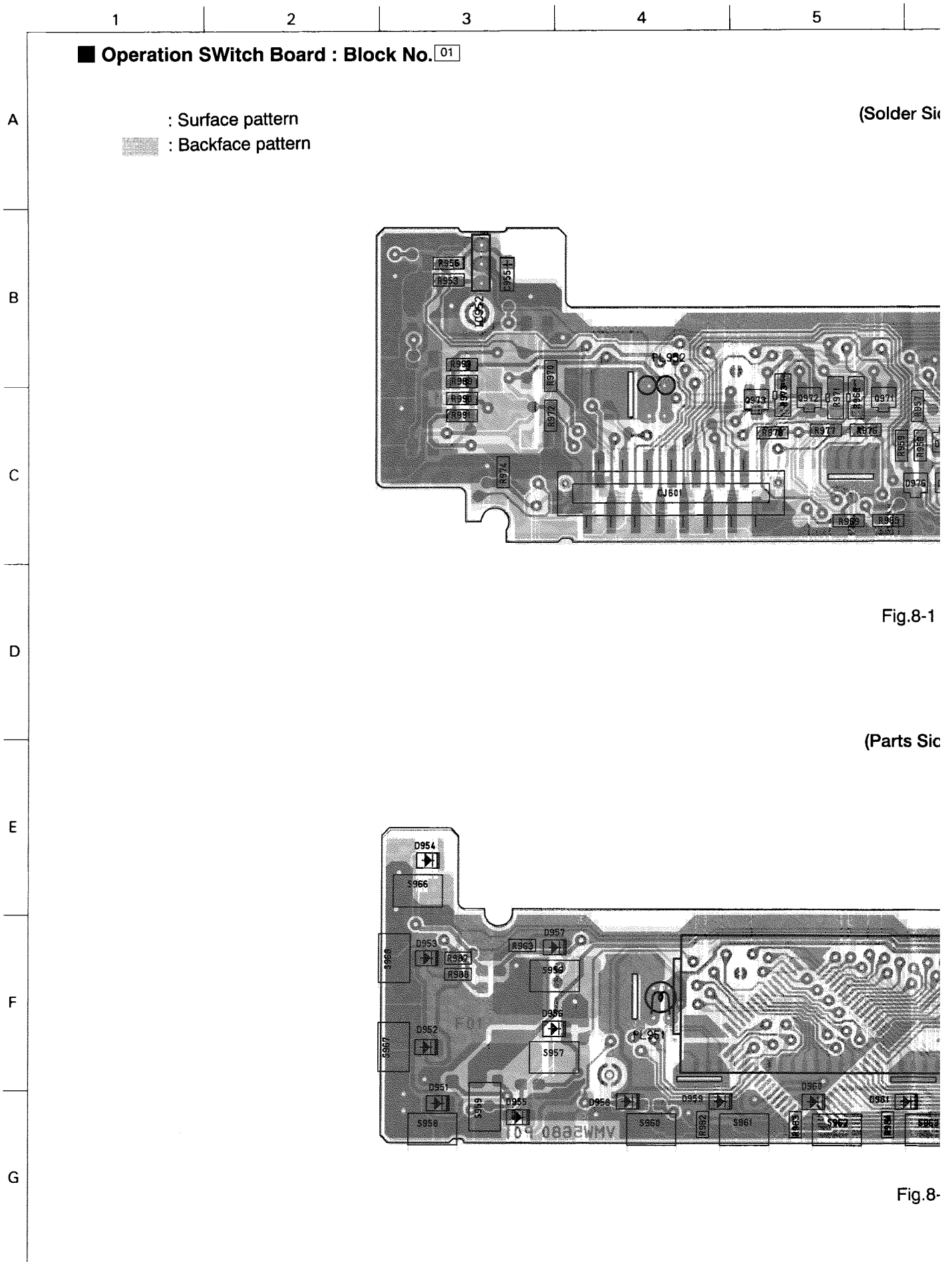
CD Analogue Signal
 FM Radio Signal
 AM Radio Signal
 +B Line



- NOTES
- VOLTAGES ARE DC-MEASURED WITH A DIGITAL VOLT METER WITHOUT INPUT SIGNAL CONDITION: -FM MODE: () AM MODE: () ICD MODE: ()
 - UNLESS OTHERWISE SPECIFIED:
 ALL RESISTORS ARE 1/10W 5% METAL GLAZE RESISTOR.
 ALL CAPACITORS ARE 50V OR 25V CERAMIC CAPACITOR.
 ALL RESISTANCE VALUES ARE IN OHM.
 ALL CAPACITANCE VALUES ARE IN UF(PPF)
 ALL E-CAPACITORS ARE SHOWN IN THE FORM OF CAPACITANCE(UF)/RATED VOLTAGE(V)

VMW5679A
 C9001
 021092-001

8.Location of P.C.Board Parts



6

7

8

9

10

der Side)

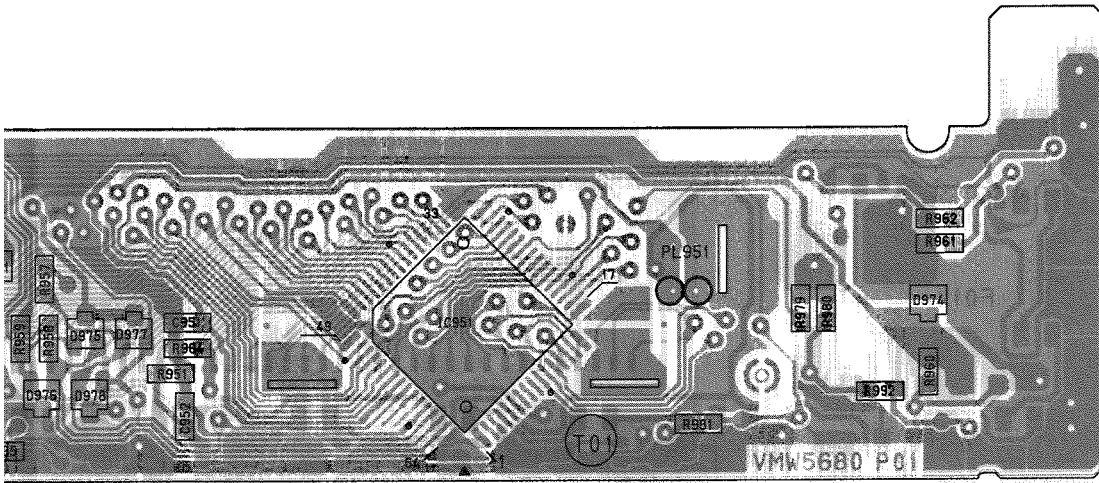


Fig.8-1

rts Side)

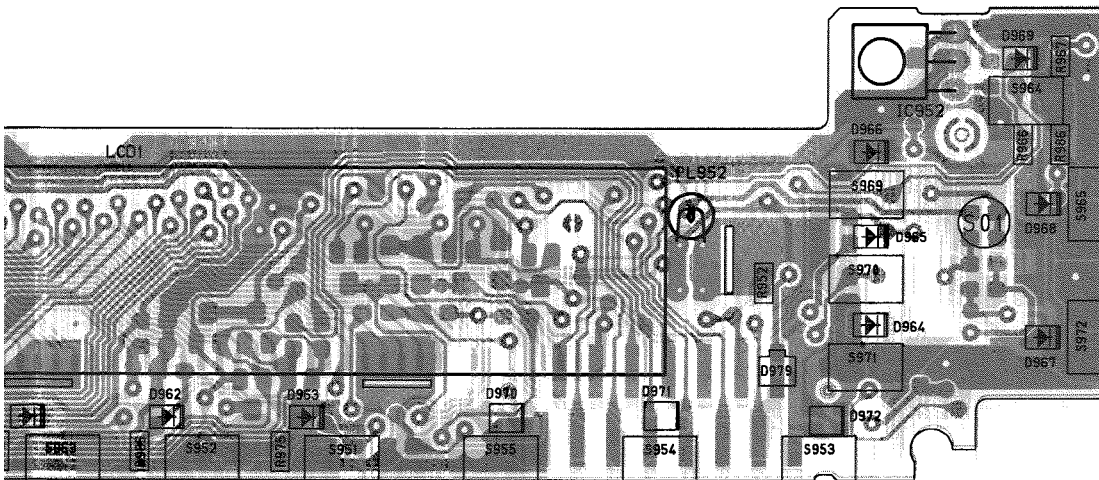


Fig.8-2

1

2

3

4

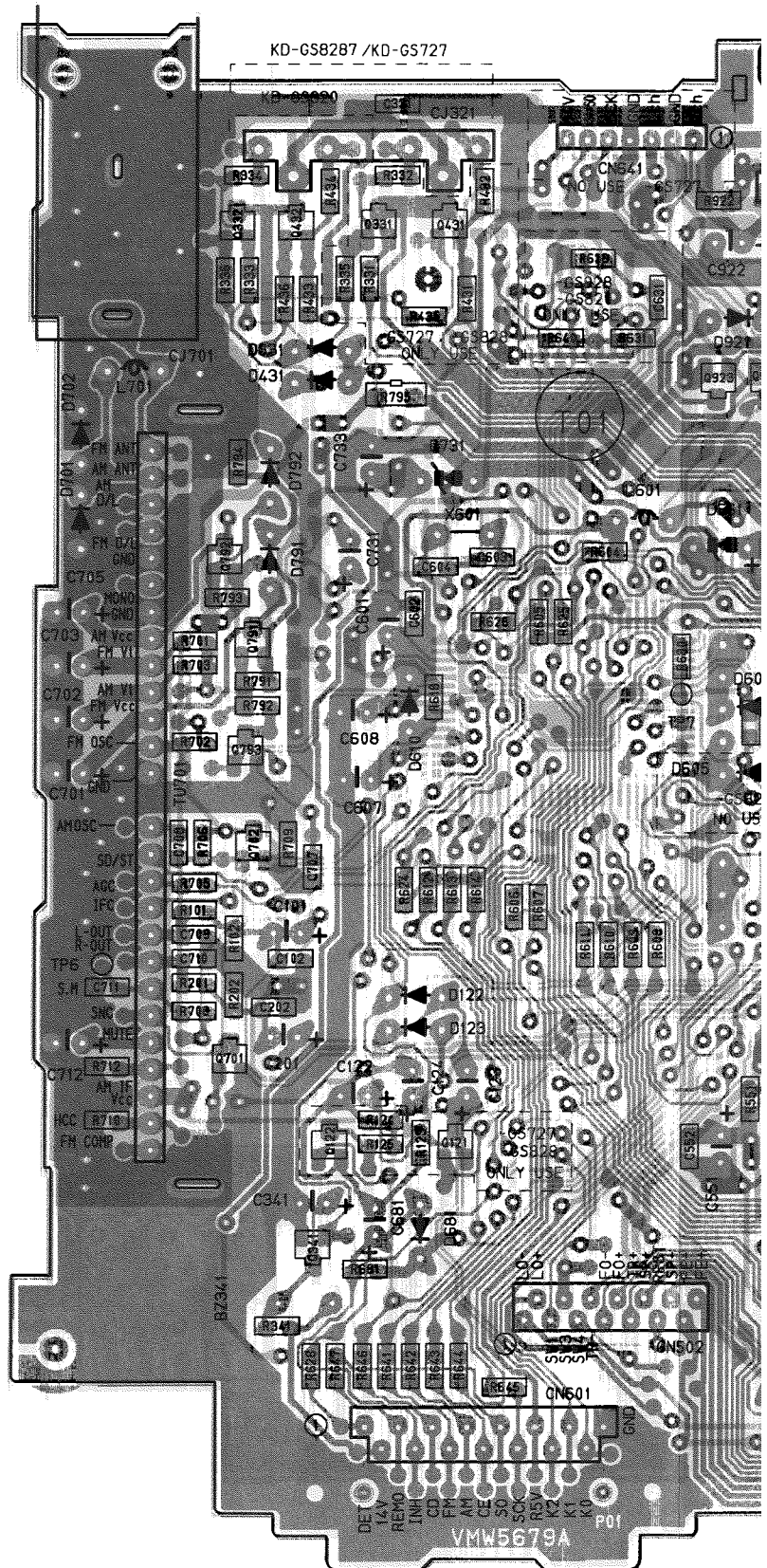
5

■ Main Board : Block No. 02

(Solder Side)

A
B
C
D
E
F
G

■ : Surface pattern
■ : Backface pattern



er Side)

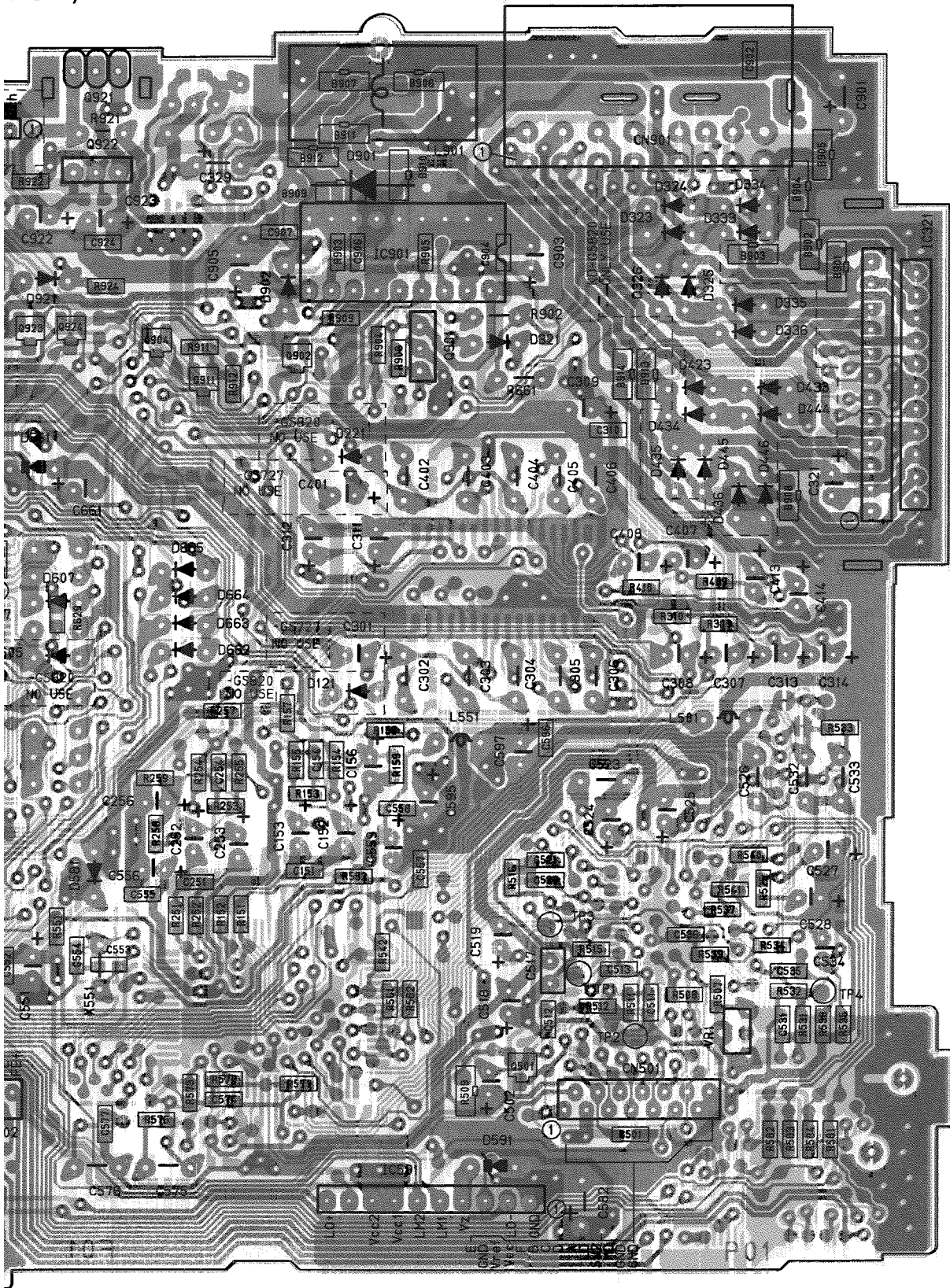


Fig.8-3

1

2

3

4

5

A

B

C

D

E

F

G

: Surface pattern
 : Backface pattern

(Parts

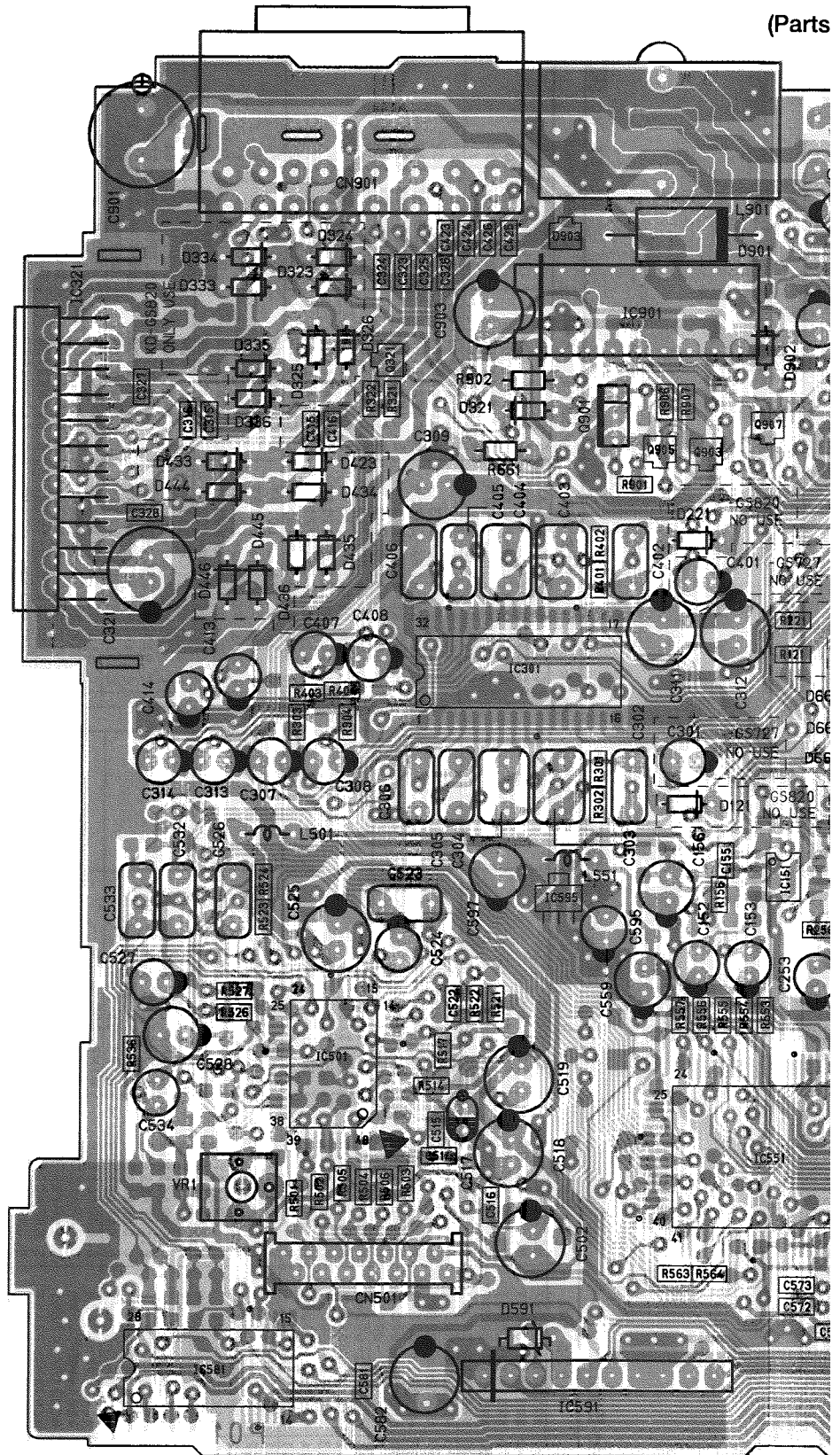


Fig.8-4

9. Electrical Parts List

Operation Switch

REF.	PARTS NO.	PARTS NAME	REMARKS	SUFFIX
C 931	NCB21HK-223AY	C CAPACITOR	.022MF 10% 50V	
C 932	NCS21HJ-681AY	C CAPACITOR	680PF 5% 50V	
C 955	NEF20JM-475RY	TS.E.CAPACITOR	4.7MF 20% 6.3V	
CJ601	VMC0335-001	CONNECTOR		
D 951	SML-010PTT87	LED	"DISPLAY"	
D 952	SML-010PTT87	LED	"VOL. DOWN"	
D 953	SML-010PTT87	LED	"VOL. UP"	
D 954	SML-010LT87	LED	"POWER/ATT"	
D 955	SML-010PTT87	LED	"SELECT"	
D 956	SML-010PTT87	LED	"SOUND"	
D 957	SML-010PTT87	LED	"LOUD"	
D 958	SML-010PTT87	LED	"1"	
D 959	SML-010PTT87	LED	"2"	
D 960	SML-010PTT87	LED	"3"	
D 961	SML-010PTT87	LED	"6"	
D 962	SML-010PTT87	LED	"5"	
D 963	SML-010PTT87	LED	"4"	
D 964	SML-010PTT87	LED	"SCAN/INT"	
D 965	SML-010PTT87	LED	"RND"	
D 966	SML-010PTT87	LED	"RPT/MONO"	
D 967	SML-010PTT87	LED	"B. SKIP/DOWN"	
D 968	SML-010PTT87	LED	"F. SKIP/UP"	
D 969	SML-010PTT87	LED	"EJECT"	
D 970	SML-020MV	LED	"CD"	
D 971	SML-020MV	LED	"FM"	
D 972	SML-020MV	LED	"AM"	
D 974	MA3047	ZENER DIODE		
D 975	MA152WK-TX	SI DIODE		
D 976	MA152WA-TX	DIODE		
D 977	MA152WK-TX	SI DIODE		
D 978	MA152WA-TX	DIODE		
D 979	MA3056	ZENER DIODE		
IC951	LC75823E	IC		
IC952	RPM-638C8R-L	IC		
PL951	QLL0002-001	LAMP		
PL952	QLL0002-001	LAMP		
Q 971	DTC114EKA-X	TRANSISTOR	"CD LED"	
Q 972	DTC114EKA-X	TRANSISTOR	"FM LED"	
Q 973	DTC114EKA-X	TRANSISTOR	"AM LED"	
R 951	NRSA02J-513NY	MG RESISTOR	51K 5% 1/10W	
R 952	NRSA02J-103NY	MG RESISTOR	10K 5% 1/10W	
R 953	NRSA02J-103NY	MG RESISTOR	10K 5% 1/10W	
R 956	NRSA02J-470NY	MG RESISTOR	47 5% 1/10W	
R 957	NRSA02J-103NY	MG RESISTOR	10K 5% 1/10W	
R 958	NRSA02J-103NY	MG RESISTOR	10K 5% 1/10W	
R 959	NRSA02J-103NY	MG RESISTOR	10K 5% 1/10W	
R 960	NRSA02J-102NY	MG RESISTOR	1.0K 5% 1/10W	
R 961	NRSA02J-471NY	MG RESISTOR	470 5% 1/10W	
R 962	NRSA02J-471NY	MG RESISTOR	470 5% 1/10W	
R 963	NRSA02J-471NY	MG RESISTOR	470 5% 1/10W	
R 964	NRSA02J-471NY	MG RESISTOR	470 5% 1/10W	
R 965	NRSA02J-471NY	MG RESISTOR	470 5% 1/10W	
R 966	NRSA02J-471NY	MG RESISTOR	470 5% 1/10W	
R 967	NRSA02J-471NY	MG RESISTOR	470 5% 1/10W	
R 968	NRS181J-681NY	MG RESISTOR	680 5% 1/8W	

BLOCK NO. 01111111

REF.	PARTS NO.	PARTS NAME	REMARKS	SUFFIX
R 969	NRSA02J-101NY	MG RESISTOR	100 5% 1/10W	
R 970	NRSA02J-391NY	MG RESISTOR	390 5% 1/10W	
R 971	NRS181J-681NY	MG RESISTOR	680 5% 1/8W	
R 972	NRSA02J-101NY	MG RESISTOR	100 5% 1/10W	
R 973	NRS181J-681NY	MG RESISTOR	680 5% 1/8W	
R 974	NRSA02J-101NY	MG RESISTOR	100 5% 1/10W	
R 975	NRSA02J-681NY	MG RESISTOR	680 5% 1/10W	
R 976	NRSA02J-511NY	MG RESISTOR	510 5% 1/10W	
R 977	NRSA02J-681NY	MG RESISTOR	680 5% 1/10W	
R 978	NRSA02J-911NY	MG RESISTOR	910 5% 1/10W	
R 979	NRSA02J-122NY	MG RESISTOR	1.2K 5% 1/10W	
R 980	NRSA02J-152NY	MG RESISTOR	1.5K 5% 1/10W	
R 981	NRSA02J-681NY	MG RESISTOR	680 5% 1/10W	
R 982	NRSA02J-511NY	MG RESISTOR	510 5% 1/10W	
R 983	NRSA02J-681NY	MG RESISTOR	680 5% 1/10W	
R 984	NRSA02J-911NY	MG RESISTOR	910 5% 1/10W	
R 985	NRSA02J-122NY	MG RESISTOR	1.2K 5% 1/10W	
R 986	NRSA02J-152NY	MG RESISTOR	1.5K 5% 1/10W	
R 987	NRSA02J-681NY	MG RESISTOR	680 5% 1/10W	
R 988	NRSA02J-511NY	MG RESISTOR	510 5% 1/10W	
R 989	NRSA02J-911NY	MG RESISTOR	910 5% 1/10W	
R 990	NRSA02J-122NY	MG RESISTOR	1.2K 5% 1/10W	
R 991	NRSA02J-152NY	MG RESISTOR	1.5K 5% 1/10W	
R 992	NRSA02J-222NY	MG RESISTOR	2.2K 5% 1/10W	
R 993	NRSA02J-681NY	MG RESISTOR	680 5% 1/10W	
S 951	NSW0039-001X	TACT SWITCH	"6"	
S 952	NSW0039-001X	TACT SWITCH	"5"	
S 953	NSW0039-001X	TACT SWITCH	"AM"	
S 954	NSW0039-001X	TACT SWITCH	"FM"	
S 955	NSW0039-001X	TACT SWITCH	"CD"	
S 956	NSW0039-001X	TACT SWITCH	"LOUD"	
S 957	NSW0039-001X	TACT SWITCH	"SOUND"	
S 958	NSW0039-001X	TACT SWITCH	"DISPLAY"	
S 959	NSW0039-001X	TACT SWITCH	"SELECT"	
S 960	NSW0039-001X	TACT SWITCH	"1"	
S 961	NSW0039-001X	TACT SWITCH	"2"	
S 962	NSW0039-001X	TACT SWITCH	"3"	
S 963	NSW0039-001X	TACT SWITCH	"4"	
S 964	NSW0039-001X	TACT SWITCH	"EJECT"	
S 965	NSW0039-001X	TACT SWITCH	"F.SKIP"	
S 966	NSW0039-001X	TACT SWITCH	"POWER"	
S 967	NSW0039-001X	TACT SWITCH	"VOL. UP"	
S 968	NSW0039-001X	TACT SWITCH	"VOL. DOWN"	
S 969	NSW0039-001X	TACT SWITCH	"RPT/MONO"	
S 970	NSW0039-001X	TACT SWITCH	"RND"	
S 971	NSW0039-001X	TACT SWITCH	"SCAN/INT"	
S 972	NSW0039-001X	TACT SWITCH	"B.SKIP/DOWN"	

Main Board

BLOCK NO. 02		BLOCK NO. 02		
A/ REF.	PARTS NO.	PARTS NAME	REMARKS	SUFFIX
B 901	NRS181J-OR0NY	MG RESISTOR	5% 1/8W	
B 902	NRS181J-OR0NY	MG RESISTOR	5% 1/8W	
B 903	NRS181J-OR0NY	MG RESISTOR	5% 1/8W	
B 904	NRS181J-OR0NY	MG RESISTOR	5% 1/8W	
B 905	NRS181J-OR0NY	MG RESISTOR	5% 1/8W	
B 906	NRS181J-OR0NY	MG RESISTOR	5% 1/8W	
B 907	NRS181J-OR0NY	MG RESISTOR	5% 1/8W	
B 908	NRS181J-OR0NY	MG RESISTOR	5% 1/8W	
B 909	NRS181J-OR0NY	MG RESISTOR	5% 1/8W	
B 910	NRS181J-OR0NY	MG RESISTOR	5% 1/8W	
B 911	NRS181J-OR0NY	MG RESISTOR	5% 1/8W	
B 912	NRS181J-OR0NY	MG RESISTOR	5% 1/8W	
B 913	NRS181J-OR0NY	MG RESISTOR	5% 1/8W	
B 914	NRS181J-OR0NY	MG RESISTOR	5% 1/8W	
B 915	QRN0002-001	Buzzer		
C 101	QEK41HM-105VM	E-CAPACITOR	1.0MF 20% 50V	
C 102	NCB21HK-472AY	C CAPACITOR	4700PF 10% 25V	
C 122	QERF0JM-476ZN	E-CAPACITOR	47MF 20% 6.3V	
C 123	QEK41HM-474	E-CAPACITOR	47MF 20% 50V	
C 124	QERF1HM-224ZN	E-CAPACITOR	22MF 20% 50V	
C 151	NCS21HJ-221AY	C CAPACITOR	220PF 5% 50V	
C 152	QEK41EM-475	E-CAPACITOR	4.7MF 20% 25V	
C 153	QEK41EM-475	E-CAPACITOR	4.7MF 20% 25V	
C 154	NCS21HJ-820AY	C CAPACITOR	82PF 5% 50V	
C 155	NCS21HJ-820AY	C CAPACITOR	82PF 5% 50V	
C 156	QEKFOJM-476ZN	E-CAPACITOR	47MF 20% 6.3V	
C 201	QEK41HM-105VM	E-CAPACITOR	1.0MF 20% 50V	
C 202	NCB21HK-472AY	C CAPACITOR	4700PF 10% 25V	
C 251	NCS21HJ-221AY	C CAPACITOR	220PF 5% 50V	
C 252	QEK41EM-475	E-CAPACITOR	4.7MF 20% 25V	
C 253	QEK41EM-475	E-CAPACITOR	4.7MF 20% 25V	
C 254	NCS21HJ-820AY	C CAPACITOR	82PF 5% 50V	
C 255	NCS21HJ-820AY	C CAPACITOR	82PF 5% 50V	
C 256	QEKFOJM-476ZN	E-CAPACITOR	47MF 20% 6.3V	
C 302	QFLA1HJ-822ZM	M-CAPACITOR	8200PF 5% 50V	
C 303	QFV41HJ-224	FILM CAPACITOR	22MF 5% 50V	
C 304	QFV41HJ-224	FILM CAPACITOR	22MF 5% 50V	
C 305	QFV41HJ-333	FILM CAPACITOR	0.33MF 5% 50V	
C 306	QFLA1HJ-562ZM	M-CAPACITOR	5600PF 5% 50V	
C 307	QEK41HM-225	E-CAPACITOR	2.2MF 20% 50V	
C 308	QEK41HM-225	E-CAPACITOR	2.2MF 20% 50V	
C 309	QEKFOJM-107ZN	E-CAPACITOR	100MF 20% 10V	
C 310	NCB21HK-103AY	C CAPACITOR	0.10MF 10% 50V	
C 311	QEKFOJM-107ZN	E-CAPACITOR	100MF 20% 10V	
C 312	QEK41CM-476	E-CAPACITOR	47MF 20% 16V	
C 313	QEK41HM-225	E-CAPACITOR	2.2MF 20% 50V	
C 314	QEK41HM-225	E-CAPACITOR	2.2MF 20% 50V	
C 315	NCS21HJ-221AY	C CAPACITOR	220PF 5% 50V	
C 316	NCS21HJ-221AY	C CAPACITOR	220PF 5% 50V	
C 321	QERF1CM-107ZM	E-CAPACITOR	100MF 20% 16V	
C 322	NCS21HJ-101AY	C CAPACITOR	100PF 5% 50V	
C 324	NCS21HJ-101AY	C CAPACITOR	100PF 5% 50V	
C 325	NCS21HJ-101AY	C CAPACITOR	100PF 5% 50V	
C 326	NCS21HJ-101AY	C CAPACITOR	100PF 5% 50V	
C 327	NCB21HK-473AY	C CAPACITOR	4700PF 10% 25V	

BLOCK NO. 02		BLOCK NO. 02		
A/ REF.	PARTS NO.	PARTS NAME	REMARKS	SUFFIX
C 328	NCB21HK-473AY	C CAPACITOR	4700PF 10% 25V	
C 331	NCB21HK-473AY	C CAPACITOR	4700PF 10% 25V	
C 341	QERF1HM-104ZN	E-CAPACITOR	1.0MF 20% 50V	
C 402	QFLA1HJ-822ZM	M-CAPACITOR	8200PF 5% 50V	
C 403	QFV41HJ-224	FILM CAPACITOR	22MF 5% 50V	
C 404	QFV41HJ-224	FILM CAPACITOR	22MF 5% 50V	
C 405	QFV41HJ-333	FILM CAPACITOR	0.33MF 5% 50V	
C 406	QFLA1HJ-562ZM	M-CAPACITOR	5600PF 5% 50V	
C 407	QEK41HM-225	E-CAPACITOR	2.2MF 20% 50V	
C 408	QEK41HM-225	E-CAPACITOR	2.2MF 20% 50V	
C 413	QEK41HM-225	E-CAPACITOR	2.2MF 20% 50V	
C 414	QEK41HM-225	E-CAPACITOR	2.2MF 20% 50V	
C 415	NCS21HJ-221AY	C CAPACITOR	220PF 5% 50V	
C 416	NCS21HJ-221AY	C CAPACITOR	220PF 5% 50V	
C 423	NCS21HJ-101AY	C CAPACITOR	100PF 5% 50V	
C 424	NCS21HJ-101AY	C CAPACITOR	100PF 5% 50V	
C 425	NCS21HJ-101AY	C CAPACITOR	100PF 5% 50V	
C 426	NCS21HJ-101AY	C CAPACITOR	100PF 5% 50V	
C 501	NCB21HK-103AY	C CAPACITOR	0.10MF 10% 50V	
C 502	QER40JM-107	E-CAPACITOR	100MF 20% 6.3V	
C 511	NCT21CH-331AY	C-CAPACITOR	330PF +50% -10%	
C 512	NCT21CH-180AY	C CAPACITOR	18PF +50% -10% 1	
C 513	NCT21CH-3R0AY	C CAPACITOR	3.0PF +50% -10%	
C 514	NCT21CH-680AY	C CAPACITOR	68PF +50% -10% 1	
C 515	NCB21HK-473AY	C CAPACITOR	4700PF 10% 25V	
C 516	NCB21HK-103AY	C CAPACITOR	0.10MF 10% 50V	
C 517	QEE40JM-106B	TS.E-CAPACITOR	10MF 20% 6.3V	
C 518	QEKFOJM-107Z	E CAPACITOR	100MF 20% 6.3V	
C 519	QEKFOJM-107Z	E CAPACITOR	100MF 20% 6.3V	
C 520	NCS21HJ-471AY	C CAPACITOR	470PF 5% 50V	
C 521	NCB21HK-333AY	C CAPACITOR	0.33MF 10% 25V	
C 522	NCS21HJ-101AY	C CAPACITOR	100PF 5% 50V	
C 523	QFV41HJ-104ZM	FILM CAPACITOR	1.0MF 5% 50V	
C 524	QEK41CM-106	E-CAPACITOR	10MF 20% 16V	
C 525	QEKFOJM-107Z	E CAPACITOR	100MF 20% 6.3V	
C 526	QFLA1HJ-822ZM	M-CAPACITOR	8200PF 5% 50V	
C 527	QERF1HM-104ZN	E-CAPACITOR	1.0MF 20% 50V	
C 528	QEK41CM-226	E-CAPACITOR	22MF 20% 16V	
C 531	NCB21HK-103AY	C CAPACITOR	0.10MF 10% 50V	
C 532	QFV41HJ-823	FILM CAPACITOR	0.82MF 5% 50V	
C 533	QFV81HJ-223	FILM CAPACITOR	0.22MF 5% 50V	
C 534	QEPJ1HM-224ZM	NP E CAPACITOR	0.22MF 20% 50V	
C 535	NCB21EK-823AY	C CAPACITOR	0.82MF 10% 25V	
C 536	NCS21HJ-102AY	C CAPACITOR	1000PF 5% 50V	
C 537	QEKFOJM-107Z	E CAPACITOR	100MF 20% 6.3V	
C 538	NCB21HK-103AY	C CAPACITOR	0.10MF 10% 50V	
C 539	NCT21CH-100AY	C CAPACITOR	10PF +50% -10% 1	
C 540	NCT21CH-100AY	C CAPACITOR	10PF +50% -10% 1	
C 541	QEKFOJM-476Z	E-CAPACITOR	47MF 20% 6.3V	
C 542	QEKFOJM-476Z	E-CAPACITOR	47MF 20% 6.3V	
C 543	NCB21HK-103AY	C CAPACITOR	0.10MF 10% 50V	
C 544	NCB21HK-103AY	C CAPACITOR	0.10MF 10% 50V	
C 545	NCB21HK-103AY	C CAPACITOR	0.10MF 10% 50V	
C 546	NCB21HK-103AY	C CAPACITOR	0.10MF 10% 50V	
C 547	NCB21HK-103AY	C CAPACITOR	0.10MF 10% 50V	
C 548	NCB21HK-103AY	C CAPACITOR	0.10MF 10% 50V	
C 549	NCB21HK-103AY	C CAPACITOR	0.10MF 10% 50V	
C 550	NCB21HK-103AY	C CAPACITOR	0.10MF 10% 50V	
C 551	NCB21HK-103AY	C CAPACITOR	0.10MF 10% 50V	
C 552	NCB21HK-103AY	C CAPACITOR	0.10MF 10% 50V	
C 553	NCT21CH-100AY	C CAPACITOR	10PF +50% -10% 1	
C 554	NCT21CH-100AY	C CAPACITOR	10PF +50% -10% 1	
C 555	NCB21HK-103AY	C CAPACITOR	0.10MF 10% 50V	
C 556	QEKFOJM-476Z	E-CAPACITOR	47MF 20% 6.3V	
C 557	NCB21HK-103AY	C CAPACITOR	0.10MF 10% 50V	
C 558	NCB21HK-103AY	C CAPACITOR	0.10MF 10% 50V	
C 559	QEKFOJM-476Z	E-CAPACITOR	47MF 20% 6.3V	
C 571	NCB21HK-103AY	C CAPACITOR	0.10MF 10% 50V	
C 572	NCB21HK-332AY	C CAPACITOR	3300PF 10% 50V	

BLOCK NO. 02

REF.	PARTS NO.	PARTS NAME	REMARKS	SUFFIX
D 591	MTZJT-916.2A	ZENER DIODE		
D 605	1SS133T-91	SI DIODE	INTRO/METER BEEP	
D 607	1SS133T-91	SI DIODE		
D 610	1SS133T-91	SI DIODE		
D 661	MTZJ-4.7B	ZENER DIODE		
D 662	1SS133T-91	SI DIODE		
D 663	1SS133T-91	SI DIODE		
D 664	1SS133T-91	SI DIODE		
D 665	1SS133T-91	SI DIODE		
D 681	1SS133T-91	SI DIODE		
D 701	1SS133T-91	SI DIODE		
D 702	1SS133T-91	SI DIODE		
D 731	MTZJT-9110C	ZENER DIODE		
D 791	1SS133T-91	SI DIODE		
D 792	1SS133T-91	SI DIODE		
D 901	1M5401TU-15	DIODE		
D 902	DSK10C-E	DIODE		
D 903	MA152WK-TX	SI DIODE		
D 921	1SS133T-91	SI DIODE		
IC151	NJM4565M	IC		
IC301	TEA6320T	IC		
IC321	TDAB568Q	IC		
IC501	TA2065F	IC		
IC551	TC9284BF	IC		
IC581	BA5924FP-E2	IC		
IC591	LB1641	IC		
IC595	TA78L05F-T12L	IC		
IC601	LC72366-9298	IC		
IC901	TA3603P	IC		
L 501	Q8L244J-4R7Z	INDUCTOR		
L 531	Q8L244J-4R7Z	INDUCTOR		
L 601	Q8L244J-4R7Z	INDUCTOR		
L 701	Q8L244J-4R7Z	INDUCTOR		
L 901	VTC2BAS-20A	CHOKO COIL		
Q 121	2SC2412KK1	TRANSISTOR		
Q 122	DTIC114EKA-X	TRANSISTOR		
Q 321	DTIC114EKA-X	TRANSISTOR		
Q 331	2SD601A(R)	TRANSISTOR		
Q 332	2SD601A(R)	TRANSISTOR		
Q 341	DTIC114EKA-X	TR		
Q 431	2SD601A(R)	TRANSISTOR		
Q 432	2SD601A(R)	TRANSISTOR		
Q 501	2SA1037K(R)	TRANSISTOR		
Q 661	DTA114EKA-X	TRANSISTOR		
Q 701	DTIC114EKA-X	TRANSISTOR		
Q 702	2SC2412KK1	TRANSISTOR		
Q 731	2SC2412KK1	TRANSISTOR		
Q 732	2SC2412KK1	TRANSISTOR		
Q 791	2SB1197K(Q,R)-X	TRANSISTOR		
Q 792	2SA1037K(R)	TRANSISTOR		
Q 793	DTIC114EKA-X	TRANSISTOR		
Q 901	2SB132(RS)	TRANSISTOR		
Q 902	DTA144EKA-X	TRANSISTOR		
Q 903	2SC2412KK1	TRANSISTOR		
Q 904	DTA114EKA-X	TRANSISTOR		

BLOCK NO. 02

REF.	PARTS NO.	PARTS NAME	REMARKS	SUFFIX
C 573	NCB21HK-332AY	C. CAPACITOR	3300PF 10% 50V	
C 574	NCB21HK-101AY	C. CAPACITOR	100PF 5% 50V	
C 575	QFV71HJ-103	FILM CAPACITOR	.010MF 5% 50V	
C 576	QFV71HJ-103	FILM CAPACITOR	.010MF 5% 50V	
C 577	NCB21HK-102AY	C. CAPACITOR	1000PF 10% 50V	
C 581	NCB21HK-103AY	C. CAPACITOR	.010MF 10% 50V	
C 582	QET41AM-227	E. CAPACITOR	220MF 20% 10V	
C 595	QEK41CM-106	E. CAPACITOR	10MF 20% 16V	
C 596	NCB21HK-103AY	C. CAPACITOR	.010MF 10% 50V	
C 597	QEK40JM-476ZN	E. CAPACITOR	47MF 20% 6.3V	
C 601	QEK40JM-227	E. CAPACITOR	220MF 20% 6.3V	
C 602	NCB21HK-103AY	C. CAPACITOR	.010MF 10% 50V	
C 603	NC121CH-220AY	C. CAPACITOR	22PF +50% -10% 1	
C 604	NC121CH-350AY	C. CAPACITOR	35PF +50% -10% 1	
C 607	QEK41CM-106	E. CAPACITOR	10MF 20% 16V	
C 608	QEK40JM-227	E. CAPACITOR	220MF 20% 6.3V	
C 681	QEK41AM-107ZN	E. CAPACITOR	100MF 20% 10V	
C 681	QEK41CM-106	E. CAPACITOR	10MF 20% 16V	
C 701	QEK41CM-106	E. CAPACITOR	10MF 20% 16V	
C 702	QEK41HM-104	E. CAPACITOR	.10MF 20% 50V	
C 703	QEK41HM-104	E. CAPACITOR	.10MF 20% 50V	
C 704	NCB21HK-225AY	C. CAPACITOR	.022MF 10% 50V	
C 705	QEK41CM-106	E. CAPACITOR	10MF 20% 16V	
C 707	NCB21HK-103AY	C. CAPACITOR	.010MF 10% 50V	
C 708	NS521HJ-101AY	C. CAPACITOR	100PF 5% 50V	
C 709	NCB21HK-822AY	C. CAPACITOR	8200PF 10% 50V	
C 710	QERF1AM-822AY	C. CAPACITOR	8200PF 10% 50V	
C 711	NCB21HK-103AY	C. CAPACITOR	.010MF 10% 50V	
C 712	QEK41HM-104	E. CAPACITOR	.10MF 20% 50V	
C 731	QER41HM-225	E. CAPACITOR	2.2MF 20% 50V	
C 732	NCB21HK-102AY	C. CAPACITOR	1000PF 10% 50V	
C 733	QERF1AM-227ZM	E. CAPACITOR	220MF 20% 10V	
C 901	QZ0337-228	E. CAPACITOR	2200MF	
C 902	NCB21HK-103AY	C. CAPACITOR	.010MF 10% 50V	
C 903	QEK41CM-476	E. CAPACITOR	47MF 20% 16V	
C 904	NCB21HK-103AY	C. CAPACITOR	.010MF 10% 50V	
C 905	QER41CM-106	E. CAPACITOR	10MF 20% 16V	
C 906	NCB21HK-104	C. CAPACITOR	.10MF 10% 25V	
C 907	NCB21HK-473AY	C. CAPACITOR	.047MF 10% 25V	
C 923	QEK41CM-226	E. CAPACITOR	22MF 20% 16V	
C 924	NCB21HK-103AY	C. CAPACITOR	.010MF 10% 50V	
CJ321	VMJ3023-101	PIN JACK		
CJ701	GN70009-001	CAR ANT JACK		
CN501	VMC0314-S14	CONNECTOR		
CN502	VMC0314-S14	CONNECTOR		
CN601	VMC0334-001	CONNECTOR		
CN901	GN70002-001	16P CONNECTOR		
D 121	1SS133T-91	SI DIODE		
D 122	1SS133T-91	SI DIODE		
D 123	1SS133T-91	SI DIODE		
D 221	1SS133T-91	SI DIODE		
D 321	1SS133T-91	SI DIODE		
D 331	1SS133T-91	SI DIODE		
D 431	1SS133T-91	SI DIODE		
D 581	DSK10C-E	DIODE		

BLOCK NO. 02111111

BLOCK NO. 02111111

4	REF.	PARTS NO.	PARTS NAME	REMARKS	SUFFIX
Q	905	DT114EKA-X	TRANSISTOR		
Q	906	DTA114EKA-X	TRANSISTOR		
Q	907	DTC114EKA-X	TRANSISTOR		
Q	911	2SA1037K(R)	TRANSISTOR		
Q	921	2SB941A(P,0)	TRANSISTOR		
Q	922	2SD1994A(R,VS)TA	TRANSISTOR		
Q	923	DTA114EKA-X	TRANSISTOR		
Q	924	DTC114EKA-X	TRANSISTOR		
R	101	NRSA02J-272NY	MG RESISTOR	2.7K 5% 1/10W	
R	102	NRSA02J-562NY	MG RESISTOR	5.6K 5% 1/10W	
R	121	NRSA02J-274NY	MG RESISTOR	270K 5% 1/10W	
R	122	NRSA02J-183NY	MG RESISTOR	18K 5% 1/10W	
R	123	NRSA02J-223NY	MG RESISTOR	22K 5% 1/10W	
R	124	NRSA02J-473NY	MG RESISTOR	4.7M 5% 1/10W	
R	125	NRSA02J-184NY	MG RESISTOR	180K 5% 1/10W	
R	151	NRSA02J-393NY	MG RESISTOR	39K 5% 1/10W	
R	152	NRSA02J-393NY	MG RESISTOR	39K 5% 1/10W	
R	153	NRSA02J-333NY	MG RESISTOR	33K 5% 1/10W	
R	154	NRSA02J-333NY	MG RESISTOR	33K 5% 1/10W	
R	155	NRSA02J-333NY	MG RESISTOR	33K 5% 1/10W	
R	156	NRSA02J-333NY	MG RESISTOR	33K 5% 1/10W	
R	157	NRSA02J-152NY	MG RESISTOR	1.5K 5% 1/10W	
R	158	NRSA02J-223NY	MG RESISTOR	22K 5% 1/10W	
R	159	NRSA02J-223NY	MG RESISTOR	22K 5% 1/10W	
R	201	NRSA02J-272NY	MG RESISTOR	2.7K 5% 1/10W	
R	202	NRSA02J-562NY	MG RESISTOR	5.6K 5% 1/10W	
R	221	NRSA02J-274NY	MG RESISTOR	270K 5% 1/10W	
R	251	NRSA02J-393NY	MG RESISTOR	39K 5% 1/10W	
P	252	NRSA02J-393NY	MG RESISTOR	39K 5% 1/10W	
R	253	NRSA02J-333NY	MG RESISTOR	33K 5% 1/10W	
R	254	NRSA02J-333NY	MG RESISTOR	33K 5% 1/10W	
R	255	NRSA02J-333NY	MG RESISTOR	33K 5% 1/10W	
R	256	NRSA02J-333NY	MG RESISTOR	33K 5% 1/10W	
R	257	NRSA02J-152NY	MG RESISTOR	1.5K 5% 1/10W	
R	258	NRSA02J-223NY	MG RESISTOR	22K 5% 1/10W	
R	259	NRSA02J-223NY	MG RESISTOR	22K 5% 1/10W	
R	301	NRSA02J-183NY	MG RESISTOR	18K 5% 1/10W	
R	302	NRSA02J-222NY	MG RESISTOR	2.2K 5% 1/10W	
P	303	NRSA02J-473NY	MG RESISTOR	47K 5% 1/10W	
R	304	NRSA02J-473NY	MG RESISTOR	47K 5% 1/10W	
R	309	NRSA02J-223NY	MG RESISTOR	22K 5% 1/10W	
R	310	NRSA02J-223NY	MG RESISTOR	22K 5% 1/10W	
R	321	NRSA02J-102NY	MG RESISTOR	1.0K 5% 1/10W	
R	322	NRSA02J-102NY	MG RESISTOR	1.0K 5% 1/10W	
R	331	NRSA02J-102NY	MG RESISTOR	1.0K 5% 1/10W	
P	332	NRSA02J-101NY	MG RESISTOR	100 5% 1/10W	
P	333	NRSA02J-102NY	MG RESISTOR	1.0K 5% 1/10W	
P	334	NRSA02J-101NY	MG RESISTOR	100 5% 1/10W	
R	335	NRSA02J-103NY	MG RESISTOR	10K 5% 1/10W	
R	336	NRSA02J-103NY	MG RESISTOR	10K 5% 1/10W	
R	401	NRSA02J-102NY	MG RESISTOR	1.0K 5% 1/10W	
R	402	NRSA02J-183NY	MG RESISTOR	18K 5% 1/10W	
R	403	NRSA02J-223NY	MG RESISTOR	2.2K 5% 1/10W	
P	404	NRSA02J-473NY	MG RESISTOR	47K 5% 1/10W	

A	REV.	PARTS NO.	PARTS NAME	REMARKS	SUFFIX
R	409	NRSA02J-223NY	MG RESISTOR	22K 5% 1/10W	
R	410	NRSA02J-223NY	MG RESISTOR	22K 5% 1/10W	
R	431	NRSA02J-102NY	MG RESISTOR	1.0K 5% 1/10W	
R	432	NRSA02J-101NY	MG RESISTOR	100 5% 1/10W	
R	433	NRSA02J-102NY	MG RESISTOR	1.0K 5% 1/10W	
R	434	NRSA02J-101NY	MG RESISTOR	100 5% 1/10W	
R	435	NRSA02J-103NY	MG RESISTOR	10K 5% 1/10W	
R	436	NRSA02J-103NY	MG RESISTOR	10K 5% 1/10W	
R	501	NRSA02J-124NY	MG RESISTOR	120K 5% 1/10W	
R	502	NRSA02J-124NY	MG RESISTOR	120K 5% 1/10W	
R	503	NRSA02J-823NY	MG RESISTOR	82K 5% 1/10W	
R	504	NRSA02J-823NY	MG RESISTOR	82K 5% 1/10W	
R	505	NRSA02J-823NY	MG RESISTOR	82K 5% 1/10W	
R	506	NRSA02J-823NY	MG RESISTOR	82K 5% 1/10W	
R	507	NRSA02J-104NY	MG RESISTOR	100K 5% 1/10W	
R	508	NRSA02J-184NY	MG RESISTOR	180K 5% 1/10W	
R	509	NRS181J-225NY	MG RESISTOR	22 5% 1/8W	
R	511	NRSA02J-104NY	MG RESISTOR	100K 5% 1/10W	
R	512	NRSA02J-102NY	MG RESISTOR	1.0K 5% 1/10W	
R	514	NRSA02J-103NY	MG RESISTOR	10K 5% 1/10W	
R	515	NRSA02J-272NY	MG RESISTOR	2.7K 5% 1/10W	
R	516	NRSA02J-272NY	MG RESISTOR	2.7K 5% 1/10W	
R	517	NRSA02J-393NY	MG RESISTOR	39K 5% 1/10W	
R	521	NRSA02J-821NY	MG RESISTOR	820 5% 1/10W	
R	522	NRSA02J-273NY	MG RESISTOR	27K 5% 1/10W	
R	523	NRSA02J-123NY	MG RESISTOR	12K 5% 1/10W	
R	524	NRSA02J-395NY	MG RESISTOR	3.9M 5% 1/10W	
R	525	NRSA02J-153NY	MG RESISTOR	15K 5% 1/10W	
R	526	NRSA02J-104NY	MG RESISTOR	100K 5% 1/10W	
R	527	NRSA02J-472NY	MG RESISTOR	4.7K 5% 1/10W	
R	531	NRSA02J-234NY	MG RESISTOR	230K 5% 1/10W	
R	532	NRSA02J-475NY	MG RESISTOR	47K 5% 1/10W	
R	533	NRSA02J-104NY	MG RESISTOR	100K 5% 1/10W	
R	534	NRSA02J-471NY	MG RESISTOR	470 5% 1/10W	
R	535	NRSA02J-333NY	MG RESISTOR	33K 5% 1/10W	
R	536	NRSA02J-332NY	MG RESISTOR	3.3K 5% 1/10W	
R	537	NRSA02J-225NY	MG RESISTOR	2.2M 5% 1/10W	
R	538	NRSA02J-393NY	MG RESISTOR	39K 5% 1/10W	
R	539	NRSA02J-474NY	MG RESISTOR	470K 5% 1/10W	
R	540	NRSA02J-103NY	MG RESISTOR	10K 5% 1/10W	
R	541	NRSA02J-332NY	MG RESISTOR	3.3K 5% 1/10W	
R	542	NRSA02J-103NY	MG RESISTOR	10K 5% 1/10W	
R	543	NRSA02J-100NY	MG RESISTOR	10 5% 1/10W	
R	544	NRSA02J-100NY	MG RESISTOR	10 5% 1/10W	
R	545	NRSA02J-472NY	MG RESISTOR	4.7K 5% 1/10W	
R	546	NRSA02J-472NY	MG RESISTOR	4.7K 5% 1/10W	
R	547	NRSA02J-103NY	MG RESISTOR	10K 5% 1/10W	
R	548	NRSA02J-473NY	MG RESISTOR	47K 5% 1/10W	
R	549	NRSA02J-104NY	MG RESISTOR	100K 5% 1/10W	
R	553	NRSA02J-473NY	MG RESISTOR	47K 5% 1/10W	
R	554	NRSA02J-472NY	MG RESISTOR	4.7K 5% 1/10W	
R	555	NRSA02J-472NY	MG RESISTOR	4.7K 5% 1/10W	
R	556	NRSA02J-472NY	MG RESISTOR	4.7K 5% 1/10W	
R	557	NRSA02J-103NY	MG RESISTOR	10K 5% 1/10W	
R	561	NRSA02J-473NY	MG RESISTOR	47K 5% 1/10W	
R	562	NRSA02J-104NY	MG RESISTOR	100K 5% 1/10W	
R	563	NRSA02J-473NY	MG RESISTOR	47K 5% 1/10W	
R	564	NRSA02J-332NY	MG RESISTOR	3.3K 5% 1/10W	
R	571	NRSA02J-102NY	MG RESISTOR	1.0K 5% 1/10W	
R	572	NRSA02J-103NY	MG RESISTOR	10K 5% 1/10W	

BLOCK NO. 02

REF.	PARTS NO.	PARTS NAME	REMARKS	SUFFIX
R 734	NRS181J-471NY	MG RESISTOR	470 5% 1/8W	
R 791	NRSA02J-103NY	MG RESISTOR	10K 5% 1/10W	
R 792	NRSA02J-102NY	MG RESISTOR	1.0K 5% 1/10W	
R 793	NRSA02J-103NY	MG RESISTOR	10K 5% 1/10W	
R 794	NRSA02J-222NY	MG RESISTOR	2.2K 5% 1/10W	
R 795	NRS181J-6R8NY	MG RESISTOR	6.8 5% 1/8W	
R 901	NRSA02J-222NY	MG RESISTOR	2.2K 5% 1/10W	
R 902	GRD141J-472	CARBON RESISTOR	4.7K 5% 1/4W	
R 903	NRSA02J-152NY	MG RESISTOR	1.5K 5% 1/10W	
R 904	NRSA02J-222NY	MG RESISTOR	2.2K 5% 1/10W	
R 905	NRSA02J-104NY	MG RESISTOR	100K 5% 1/10W	
R 906	NRSA02J-473NY	MG RESISTOR	47K 5% 1/10W	
R 907	NRSA02J-562NY	MG RESISTOR	5.6K 5% 1/10W	
R 908	NRSA02J-473NY	MG RESISTOR	47K 5% 1/10W	
R 909	NRSA02J-473NY	MG RESISTOR	47K 5% 1/10W	
R 911	NRSA02J-473NY	MG RESISTOR	47K 5% 1/10W	
R 912	NRSA02J-222NY	MG RESISTOR	2.2K 5% 1/10W	
R 921	GRX01DJ-R47X	M.F. RESISTOR	5% 1/1W	
R 922	NRSA02J-100NY	MG RESISTOR	10 5% 1/10W	
R 924	NRSA02J-272NY	MG RESISTOR	2.7K 5% 1/10W	
TU701	GAUC0023-001	TUNER		
VR1	QVZ3523-154AZ	V. RESISTOR		
X 551	VCX5016-934V	CRYSTAL		
X 601	VCX5026-001Z	CRYSTAL		

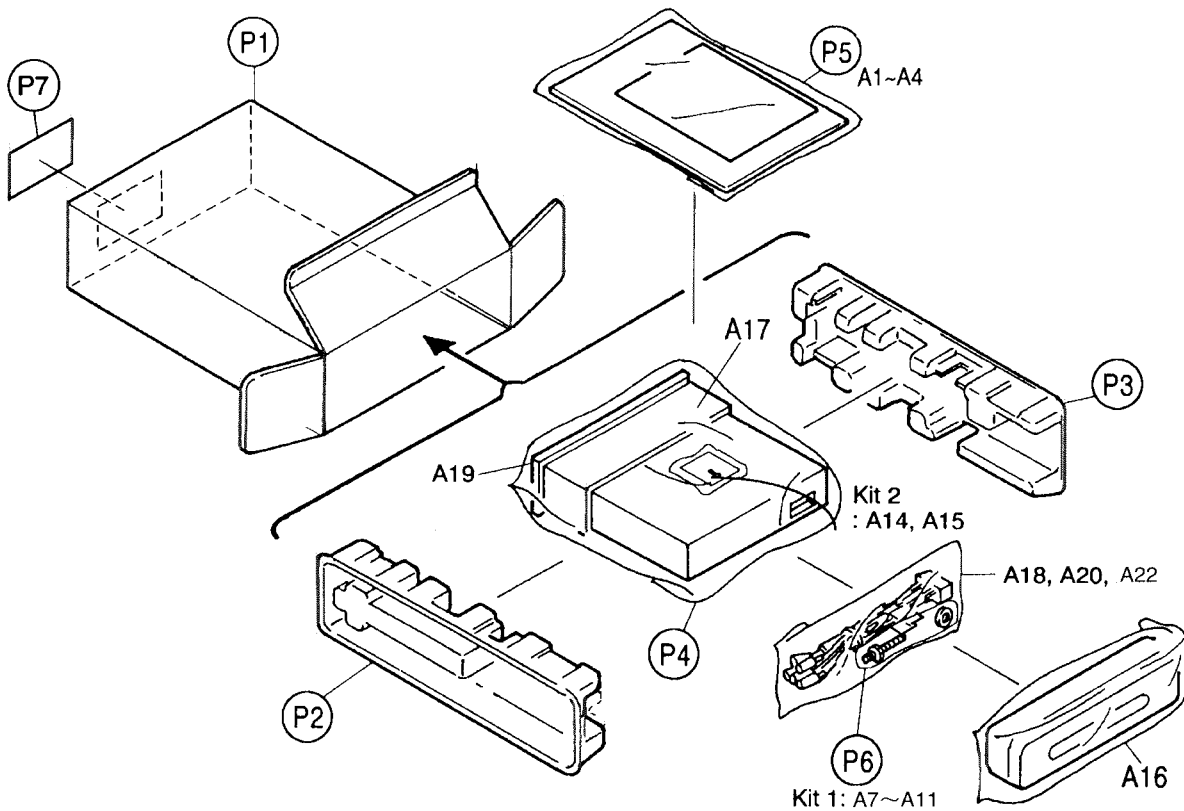
BLOCK NO. 02

REF.	PARTS NO.	PARTS NAME	REMARKS	SUFFIX
R 573	NRSA02J-473NY	MG RESISTOR	47K 5% 1/10W	
R 574	NRSA02J-154NY	MG RESISTOR	150K 5% 1/10W	
R 575	NRSA02J-225NY	MG RESISTOR	2.2M 5% 1/10W	
R 576	NRSA02J-333NY	MG RESISTOR	33K 5% 1/10W	
R 581	NRSA02J-103NY	MG RESISTOR	10K 5% 1/10W	
R 582	NRSA02J-102NY	MG RESISTOR	1.0K 5% 1/10W	
R 583	NRSA02J-682NY	MG RESISTOR	6.8K 5% 1/10W	
R 584	NRSA02J-561NY	MG RESISTOR	560 5% 1/10W	
R 601	NRSA02J-103NY	MG RESISTOR	10K 5% 1/10W	
P 602	NRSA02J-104NY	MG RESISTOR	100K 5% 1/10W	
R 603	NRSA02J-104NY	MG RESISTOR	100K 5% 1/10W	
R 604	NRSA02J-104NY	MG RESISTOR	100K 5% 1/10W	
R 605	NRSA02J-473NY	MG RESISTOR	47K 5% 1/10W	
R 606	NRSA02J-103NY	MG RESISTOR	10K 5% 1/10W	
R 607	NRSA02J-103NY	MG RESISTOR	10K 5% 1/10W	
R 608	NRSA02J-331NY	MG RESISTOR	330 5% 1/10W	
R 609	NRSA02J-331NY	MG RESISTOR	330 5% 1/10W	
P 610	NRSA02J-331NY	MG RESISTOR	330 5% 1/10W	
P 611	NRSA02J-331NY	MG RESISTOR	330 5% 1/10W	
R 612	NRSA02J-472NY	MG RESISTOR	4.7K 5% 1/10W	
R 613	NRSA02J-472NY	MG RESISTOR	4.7K 5% 1/10W	
R 614	NRSA02J-472NY	MG RESISTOR	4.7K 5% 1/10W	
R 615	NRSA02J-223NY	MG RESISTOR	22K 5% 1/10W	
R 616	NRSA02J-223NY	MG RESISTOR	22K 5% 1/10W	
P 617	NRSA02J-223NY	MG RESISTOR	22K 5% 1/10W	
P 618	NRSA02J-473NY	MG RESISTOR	47K 5% 1/10W	
P 624	NRSA02J-473NY	MG RESISTOR	47K 5% 1/10W	
P 625	NRSA02J-473NY	MG RESISTOR	47K 5% 1/10W	
R 626	NRSA02J-332NY	MG RESISTOR	3.3K 5% 1/10W	
R 627	NRSA02J-104NY	MG RESISTOR	100K 5% 1/10W	
R 628	NRSA02J-222NY	MG RESISTOR	2.2K 5% 1/10W	
R 629	NRSA02J-104NY	MG RESISTOR	100K 5% 1/10W	
R 630	NRSA02J-103NY	MG RESISTOR	10K 5% 1/10W	
R 641	NRSA02J-102NY	MG RESISTOR	1.0K 5% 1/10W	
R 642	NRSA02J-102NY	MG RESISTOR	1.0K 5% 1/10W	
P 643	NRSA02J-101NY	MG RESISTOR	100 5% 1/10W	
P 644	NRSA02J-101NY	MG RESISTOR	100 5% 1/10W	
R 645	NRSA02J-101NY	MG RESISTOR	100 5% 1/10W	
R 646	NRSA02J-102NY	MG RESISTOR	1.0K 5% 1/10W	
R 647	NRSA02J-102NY	MG RESISTOR	1.0K 5% 1/10W	
P 651	GRD141J-472	CARBON RESISTOR	4.7K 5% 1/4W	
R 681	NRSA02J-224NY	MG RESISTOR	220K 5% 1/10W	
R 701	NRSA02J-102NY	MG RESISTOR	1.0K 5% 1/10W	
P 702	NRSA02J-101NY	MG RESISTOR	100 5% 1/10W	
P 703	NRSA02J-102NY	MG RESISTOR	1.0K 5% 1/10W	
P 705	NRSA02J-103NY	MG RESISTOR	10K 5% 1/10W	
R 706	NRSA02J-224NY	MG RESISTOR	220K 5% 1/10W	
R 708	NRSA02J-155NY	MG RESISTOR	1.5M 5% 1/10W	
R 709	NRSA02J-222NY	MG RESISTOR	2.2K 5% 1/10W	
R 710	NRSA02J-104NY	MG RESISTOR	100K 5% 1/10W	
R 711	NRSA02J-475NY	MG RESISTOR	4.7M 5% 1/10W	
P 712	NRSA02J-153NY	MG RESISTOR	15K 5% 1/10W	
P 731	NRSA02J-152NY	MG RESISTOR	1.5K 5% 1/10W	
P 732	NRSA02J-102NY	MG RESISTOR	1.0K 5% 1/10W	
R 733	NRSA02J-103NY	MG RESISTOR	10K 5% 1/10W	

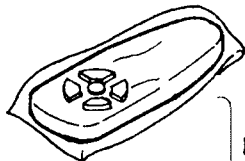
-MEMO-

-MEMO-

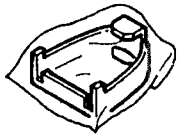
10.Packing



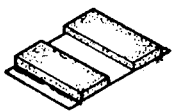
Accessories



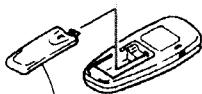
A20
Remote con. Unit
VGR0047-101



A21 Battery
R03UPTT-2ST



A22
Double Face
VYTT682-001



Battery Cover

Battery cover
JV - 0062 - 003
(SERVICE ONLY)

SCREW KIT 1



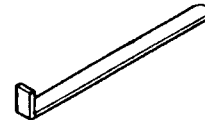
A7
Plug Nut
VKZ4027-002



A10
Washer
WNS5000Z



A8
Mount Bolt
VKH4871-001



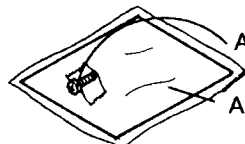
A11
Hook
FSKL4010-002



A9
Lock Nut
VKH4328-001

1

SCREW KIT 2



A14 Screw
VKZ4777-001

A15 Sheet
FSYA4001-001

■ Packing Parts List

BLOCK NO. M3MM

△	REF.	PARTS NO.	PARTS NAME	REMARKS	QTY	SUFFIX	CLR
P	1	VPC3782-S001	CARTON		1		
P	2	FSPH1010-001	PAPER CUSHION	R SIDE	1		
P	3	FSPH1009-001	PAPER CUSHION	L SIDE	1		
P	4	VPE3005-066	POLY BAG	SET	1		
P	5	QPGA017-02505	POLY BAG	INSTRUCTIONS	1		
P	6	QPGA008-01205	POLY BAG	KIT 1	1		
P	7	-----	CARTON LABEL		1		

■ Accessories

BLOCK NO. M4MM

△	REF.	PARTS NO.	PARTS NAME	REMARKS	QTY	SUFFIX	CLR
A	1	VNN3782-631S	INSTRUCTIONS		1		
A	2	VNC2400-090	CAUTION SHEET		1		
A	3	VNC2400-098	CAUTION SHEET		1		
A	3	BT-51009-2	WARRANTY CARD		1	J	
A	3	BT-52001-3	WARRANTY CARD		1	C	
A	4	BT-20071B	SVC CENTER LIST		1	C	
A	4	BT-20137	SERVICE NETWORK		1	J	
A	7	VKZ4027-002	PLUG NUT		1		
A	8	VKH4871-001	MOUNT BOLT		1		
A	9	VKZ4328-001	LOCK NUT		1		
A	10	WNS5000Z	WASHER		1		
A	11	FSKL4010-002	HOOK		2		
A	14	VKZ4777-001	MINI SCREW		1		
A	15	FSYA4001-001	SHEET		1		
A	16	FSJB3001-00A	HARD CASE		1		
A	17	FSKM2004-001	MOUNTING SLEEVE		1		
A	18	QAM0013-001	16P CORD ASS'Y		1		
A	19	FSJD2019-001	TRIM PLATE		1		
A	20	VGRO047-101	REMO-CON UNIT		1		
A	21	R03UPTT-2ST	BATTERY		1		
A	22	VYTT682-001	DOUBLE FACE		1		
KIT 1		KDGS717K-SCREW1	SCREW PARTS KIT	A7-A11	1		
KIT 2		KDGS727J-SCREW2	SCREW PARTS KIT	A14,A15	1		

JVC

VICTOR COMPANY OF JAPAN LIMITED
AUDIO PRODUCTS DIVISION 10-1, 1-chome, Ohwatari-machi, Maebashi-city, Japan